

QTY.	PART NUMBER
1	SE17LE2-01-BASE PLATE
1	SE17LE2-02-BASE PLATE PILAR TYPE-A
1	SE17LE2-03-BASE PLATE PILAR TYPE-B
1	SE17LE2-04-HOT AIR PILAR B COUPLING
1	SE17LE2-05-PILAR TYPE-B EXTENSION
1	SE17LE2-06-THREADED BUSH
1	SE17LE2-07-COOLING PLATEPILAR
5	SE17LE2-08-ROSETTE
1	SE17LE2-09-MAIN CRANK BEARING HOUSING
2	SE17LE2-10-MAIN BEARING
1	SE17LE2-11-HOT AIR COUPLING TUBE TYPE-A
1	SE17LE2-12-HOT AIR ANGLE CONNECTOR
1	SE17LE2-13-HOT AIR ANGLE TO CYLINDER CONNECTOR
1	SE17LE2-14-MAIN CYLINDER
1	SE17LE2-15-COOLING PLATE
1	SE17LE2-16-FYWHEEL HUB
6	SE17LE2-17-SPOKE
1	SE17LE2-18-FLYWHEEL OUTER RING
1	SE17LE2-19-CRANK PIN TYPE-A
1	SE17LE2-20-CRANK SHAFT SPACER
1	SE17LE2-21-CRANK SHAFT
1	SE17LE2-22-PISTON
1	SE17LE2-23-PISTON PIN
2	SE17LE2-24-WASHER 3x6x1
2	SE17LE2-25-BEARING HOUSING
2	SE17LE2-26-BEARING
1	SE17LE2-27-CON ROD
1	SE17LE2-28-WASHER 3x15x2
1	SE17LE2-29-DISPLACER CRANK
1	SE17LE2-30-DISPLACER CRANK PIN
1	SE17LE2-31-DISPLACER CRANK BEARING HOUSING
4	SE17LE2-32-DISPLACER CRANK BAERING
2	SE17LE2-33-DIS PLACER CON ROD
2	SE17LE2-34-DISPLACER LOWER BEARING HOUSING
1	SE17LE2-35-DISPLACER PISTON SHAFT HOLDER
2	SE17LE2-36-WASHER 5x15x2
1	SE17LE2-37-DISPLACER PISTON ROD GUIDE PLATE
1	SE17LE2-38-DISPLACER PISTON ROD BUSH
1	SE17LE2-39-TOP MOUNTING PLATE
2	SE17LE2-40-TOP MOUNTING PLATE PILAR
1	SE17LE2-41-LOCATING PIN
1	SE17LE2-42-O-RING
1	SE17LE2-43-BOTTOM COOLING PLATE
1	SE17LE2-44-DISPLACER PISTON ROD COOLING PLATE BUSH
1	SE17LE2-45-DISPLACER CYLINDER
1	SE17LE2-46-DISPLACER PISTON SHELL
1	SE17LE2-47-DISPLACER PISTON TOP
1	SE17LE2-48-DIS PLACER PISTON ROD
1	SE17LE2-49-TEA CANDLE LIGHT THUMBHWHEEL
1	SE17LE2-50-TEA CANDLE LIGHT HOLDER BOTTOM
1	SE17LE2-51-TEA CANDLE LIGHT HOLDER TOP
1	SE17LE2-52-TEA CANDLE LIGHT HOLDER GLASS
4	SE17LE2-M3 DOME NUT
1	SE17LE2-M3 NUT
6	SE17LE2-M3 WASHER
2	SE17LE2-M3x15 DOME HEX BOLT
2	SE17LE2-M3x50 THREADED ROD
1	SE17LE2-M4x10 GRUB SCREW
3	SE17LE2-M5 WASHER
2	SE17LE2-M5x10 DOME HEX BOLT
3	SE17LE2-M5x25 DOME HEX BOLT
1	SE17LE2-M6 WASHER
1	SE17LE2-M6x10 DOME HEX BOLT
1	SE17LE2-M6x10 GRUB SCREW
1	SE17LE2-M8 NUT
1	SE17LE2-M8 WASHER
1	SE17LE2-M8x40 HEX BOLT
1	SE17LE2-TEA LIGHT

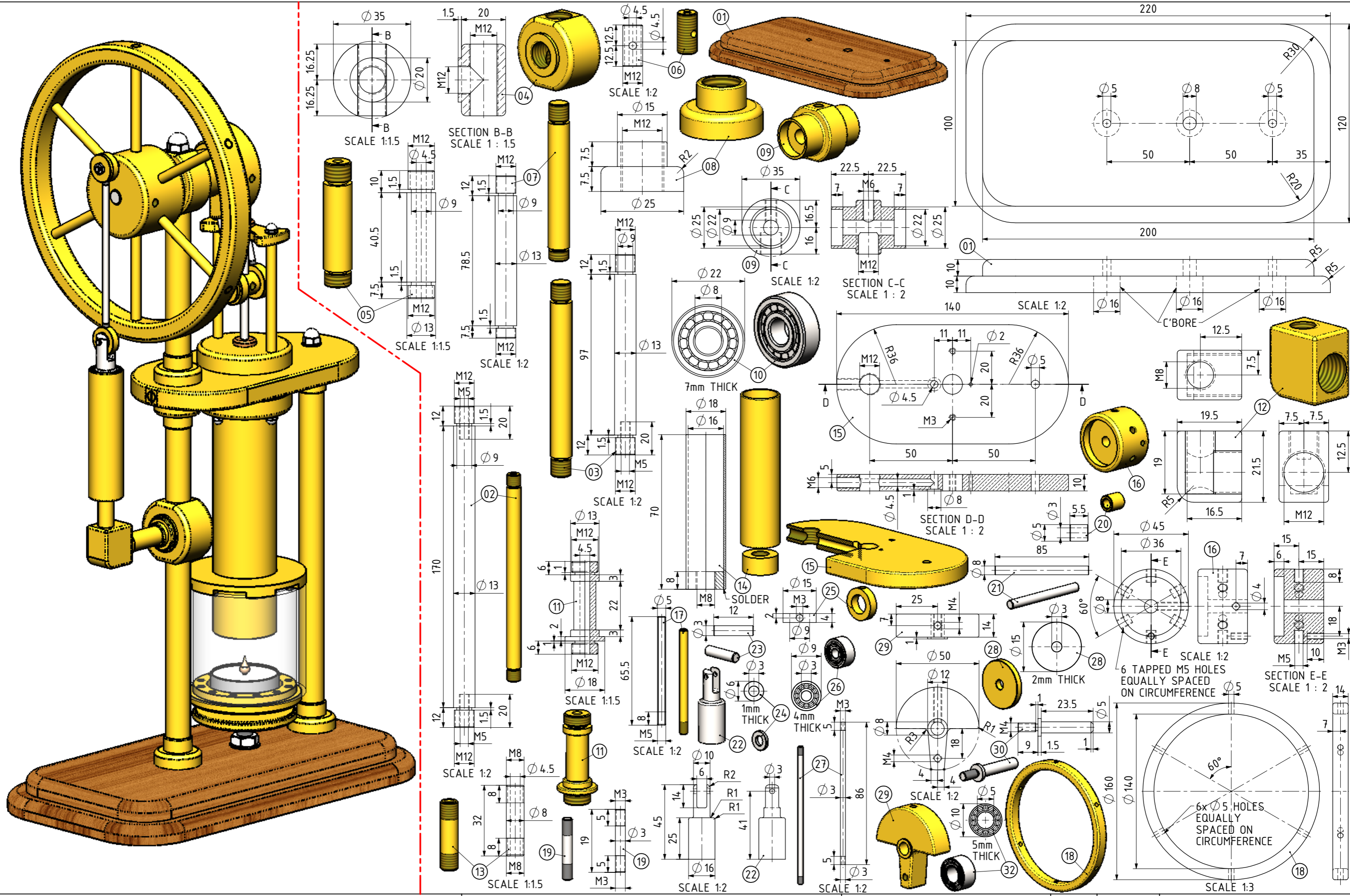
THIS DESIGN IS LOOSELY BASED ON A DESIGN WHICH I FOUND IN A DUTCH MAGAZINE "ONDER STOOM" IT WAS CALLED "SIRLING MACHINE No17 LITTLE ENGINE 2" IT WAS BUILT BY Mr. J DE VINK. ALSO A WORKING MODEL WAS POSTED ON YOUTUBE

TITLE
STIRLING HOT AIR ENGINE

DRAWING CONTENTS
GENERAL ARRANGEMENT
AND BILL OF MATERIALS

PROJECT No
JDW DRAUGHTING SERVICES
J.A.M. DE WAAL, 12 BRIGHTWELL STREET PAPAURA 2110.
NEW ZEALAND. PHONE: 0064 09 2988815. MOB: 0211791000
E-MAIL: dewaal@xtra.co.nz.

PROJECTION
DATE: JAN 2013
SHEET:01 OF 03
MODEL SCALE: 1:1
DWG SCALE: NTS @A3 OR AS SHOWN
Copyright © J.A.M. DE WAAL PAPAURA NZ
A3 No: SE17LE2-01



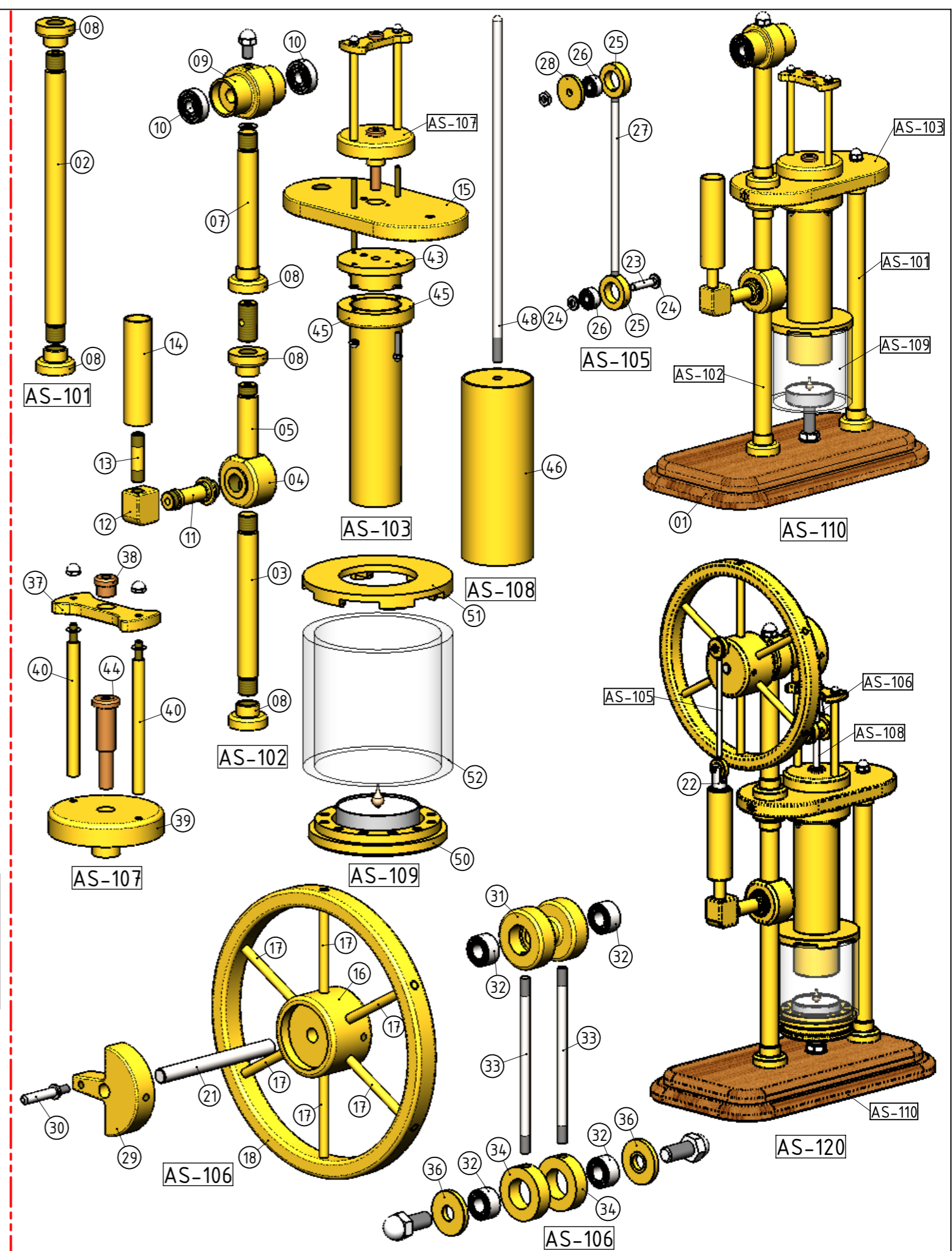
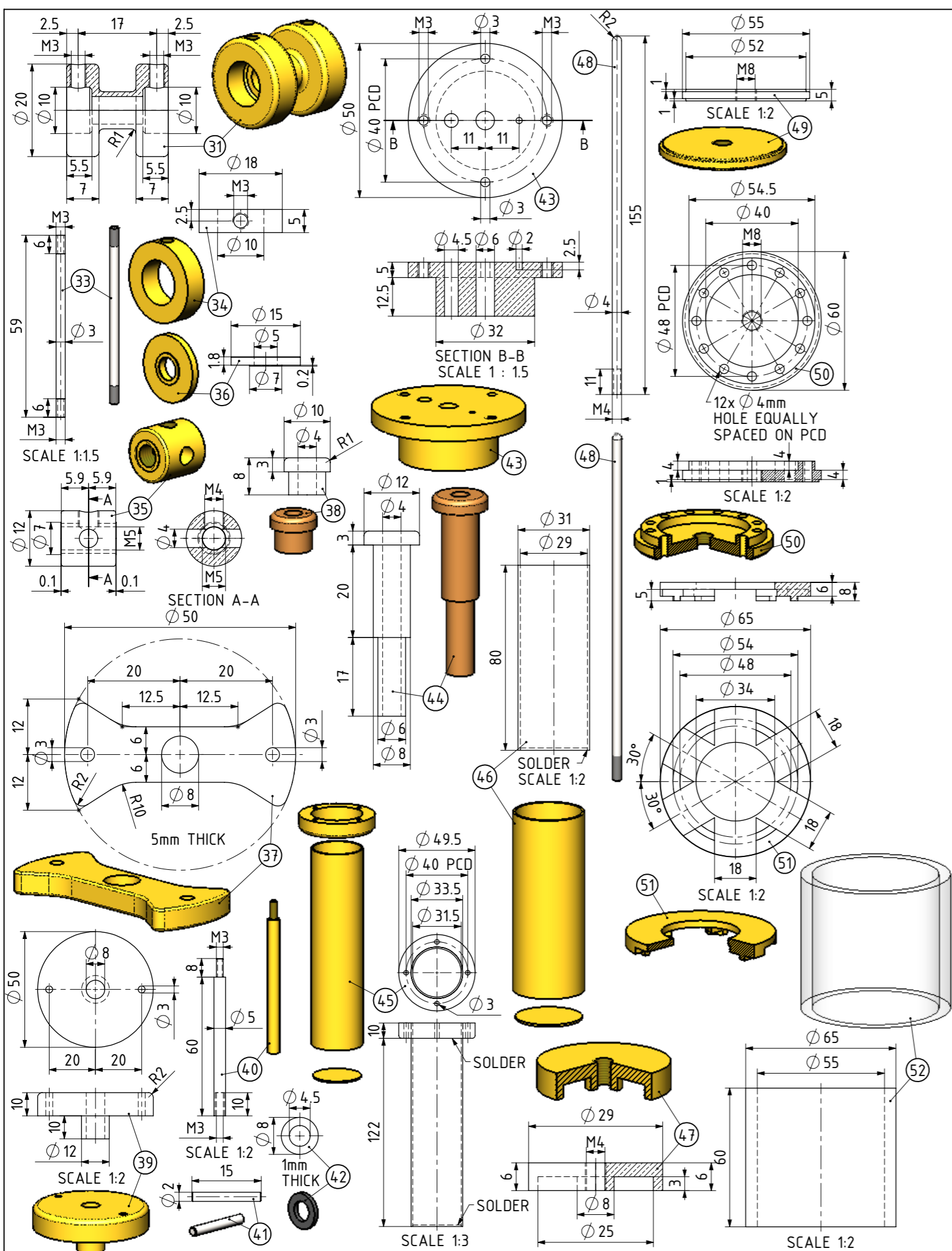
TITLE
STIRLING HOT AIR ENGINE

DRAWING CONTENTS
ISOMETRIC VIEW, PARTS AND ASSEMBLIES

PROJECT No
JDW DRAUGHTING SERVICES
 J.A.M. DE WAAL, 12 BRIGHTWELL STREET PAPAOKURA 2110.
 NEW ZEALAND. PHONE: 0064 09 2988815. MOB: 0211791000
 E-MAIL: dewaal@xtra.co.nz.

PROJECTION
 DATE: JAN 2013
 SHEET:02 OF 03

MODEL SCALE: 1:1
 DWG SCALE: 1:1 @A3 OR AS SHOWN
 Copyright © J.A.M. DE WAAL PAPAOKURA NZ
A3 No: EXSEWEFL-02



TITLE
STIRLING HOT AIR ENGINE

DRAWING CONTENTS
PARTS AND ASSEMBLIES

PROJECT No
JDW DRAUGHTING SERVICES
 J.A.M. DE WAAL, 12 BRIGHTWELL STREET PAPA KURA 2110.
 NEW ZEALAND. PHONE: 0064 09 2988815. MOB: 0211791000
 E-MAIL: dewaal@xtra.co.nz.

PROJECTION
 DATE: JAN 2013
 SHEET:03 OF 03

MODEL SCALE: 1:1
 DWG SCALE: 1:1 @A3 OR AS SHOWN
 Copyright © J.A.M. DE WAAL PAPA KURA NZ
A3 No: EXSEWEFL-03