

QTY.	PART NUMBER
1	ME2005-01-WOODEN BASE
1	ME2005-02-CYLINDER PLATE
1	ME2005-03-SPACER PLATE
1	ME2005-04-PULLEY SUPPORT PLATE
1	ME2005-05-PULLEYMOUNTING BASE
1	ME2005-06-CYLINDER MOUNTING BUSH
1	ME2005-07-POWER CYLINDER
1	ME2005-08-HEAT SINK MOUNTING BUSH
1	ME2005-09-HEAT SINK
1	ME2005-11-DISPLACER CYLINDER
1	ME2005-12-DISPLACER CYLINDER COLD END
1	ME2005-13-DISPLACER CYLINDER HOT CAP
1	ME2005-15-DISPLACER TUBE
1	ME2005-16-DISPLACER END CAP-1
1	ME2005-17-DISPLACER END CAP-2
1	ME2005-18-DISPLACER ROD
1	ME2005-19-DISPLACER ROD END RHOMBIC LINK
1	ME2005-20-CYLINDER PLATE END RHOMBIC LINK
1	ME2005-21-PISTON
1	ME2005-22-PISTON LINK
1	ME2005-23-PISTON SLEEVE
2	ME2005-24-GEAR BUSH
1	ME2005-25-GEAR COLLAR
2	ME2005-26-GEAR WHEEL
2	ME2005-27-BALANCE WEIGHT
2	ME2005-28-CRANK WEB
2	ME2005-29-WEB STUD
4	ME2005-30-M3x12 P-HEAD A-KEY
1	ME2005-31-GEAR SHAFT LONG
1	ME2005-32-GEAR SHAFT SHORT
2	ME2005-33-RHOMBIC SPACER BUSH
4	ME2005-34-RHOMBIC CONNECTING LINK
1	ME2005-35-PULLEY
2	ME2005-36-NEEDLE BEARING
8	ME2005-M3 NUT
18	ME2005-M3 WASHER
4	ME2005-M3x10 P-HEAD A-KEY
2	ME2005-M3x15 C-SINK A-KEY SCREW
12	ME2005-M3x15 P-HEAD A-KEY
2	ME2005-M3x20 P-HEAD A-KEY
8	ME2005-M3x5 GRUB SREW
2	ME2005-M4x18 P-HEAD A-KEY
2	ME2005-M5x20 P-HEAD A-KEY

NOTE : THIS ENGINE WAS PUBLISHED IN THE "MODEL ENGINEER" MAGAZINE OF 30 SEPTEMBER 2005 BY LERS KERR OF AUSTRALIA A SIMILAR ENGINE WAS EARLIER PUBLISHED IN M.E. OF 18 NOVEMBER 1977 BUILT BY Dr J.R.SENFT

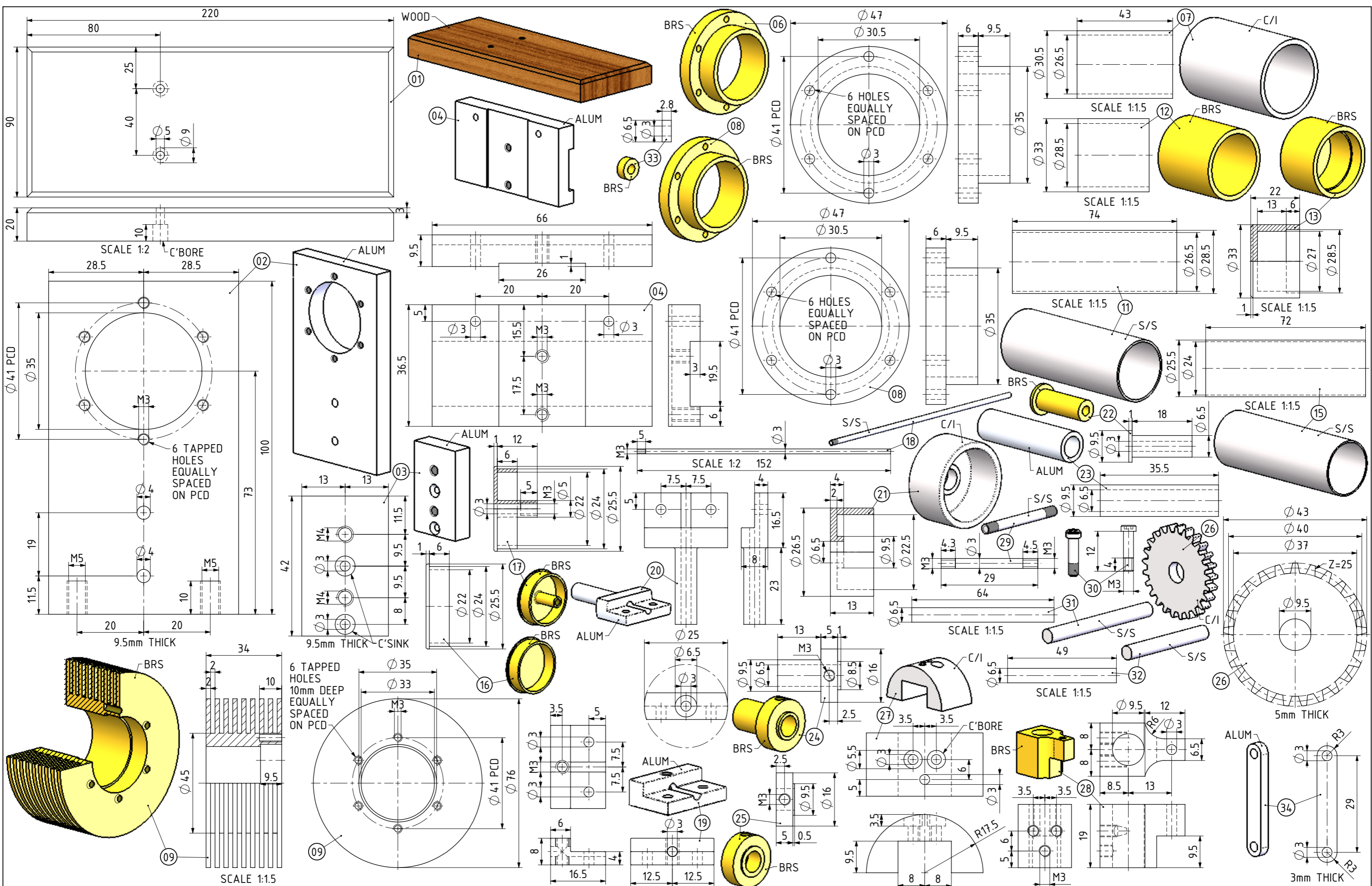
TITLE
HOT AIR ENGINE WITH RHOMBIC DRIVE

DRAWING CONTENTS
GENERAL ARRANGEMENT ISOMETRIC
VIEW AND BILL OF MATERIALS

PROJECT No
JDW DRAUGHTING SERVICES
J.A.M. DE WAAL, 12 BRIGHTWELL STREET PAPAURA 2110.
NEW ZEALAND. PHONE: 0064 09 2988815. MOB: 0211791000
E-MAIL: dewaal@xtra.co.nz.

PROJECTION
DATE
JUNE 2013
SHEET:01 OF 03

MODEL SCALE: 1:1
DWG SCALE: 1:1 @A3 OR AS SHOWN
Copyright © J.A.M. DE WAAL PAPAURA NZ
A3 No: HAEWRD-01



NOTE : THIS ENGINE WAS PUBLISHED IN THE "MODEL ENGINEER" MAGAZINE OF 30 SEPTEMBER 2005 BY LERS KERR OF AUSTRALIA. A SIMILAR ENGINE WAS EARLIER PUBLISHED IN M.E. OF 18 NOVEMBER 1977 BUILT BY Dr J.R.SENFT

<p>TITLE HOT AIR ENGINE WITH RHOMBIC DRIVE</p>	<p>DRAWING CONTENTS PARTS AND ASSEMBLIES</p>	<p>PROJECT No JDW DRAUGHTING SERVICES J.A.M. DE WAAL, 12 BRIGHTWELL STREET PAPAOKURA 2110. NEW ZEALAND. PHONE: 0064 09 2988815. MOB: 0211791000 E-MAIL: dewaal@xtra.co.nz.</p>	<p>PROJECTION DATE JUNE 2013</p>	<p>MODEL SCALE: 1:1 DWG SCALE: 1:1 @A3 OR AS SHOWN Copyright © J.A.M. DE WAAL PAPAOKURA NZ SHEET:02 OF 03 A3 No: HAWRD-02</p>
---	---	---	---	---

