

QTY.	PART NUMBER
1	FRENCH-01-BASE PLATE
1	FRENCH-02-CYLINDER SUPPORT
2	FRENCH-03-BEARING SUPPORT
1	FRENCH-04-POWER CYLINDER
1	FRENCH-05-DISPLACER CYLINDER
1	FRENCH-06-HEATSINK
4	FRENCH-07-ROLLER BEARING 6x10x3
1	FRENCH-08-DISPLACER ROD
1	FRENCH-09-DISPLACER TUBE
1	FRENCH-10-DISPLACER TUBE CAP-1
1	FRENCH-11-DISPLACER TUBE CAP-2
1	FRENCH-12-DISPLACER LINK YOKE
4	FRENCH-13-YOKE PIN
6	FRENCH-14-CIRCLIP
1	FRENCH-15-POWER PISTON
1	FRENCH-16-POWER PISTON ROD
1	FRENCH-17-POWER PISTON ROD CONNETOR
1	FRENCH-18-POWER PISTON LINK YOKE
1	FRENCH-19-CRANK AXLE
1	FRENCH-19-CRANK AXLE
2	FRENCH-20-CRANK PLATE
2	FRENCH-21-GEAR WHEEL
1	FRENCH-22-FLYWHEEL
2	FRENCH-23-CRANK PLATE PIN
4	FRENCH-24-LINK
8	FRENCH-25-ROLLER BEARING 3x6x3
1	FRENCH-26-WOOD BASE
1	FRENCH-M2.5x8 C-SINK A-KEY SCREW
6	FRENCH-M3 NUT
12	FRENCH-M3 WASHER
6	FRENCH-M3x12 C-SINK A-KEY SCREW
6	FRENCH-M3x4 GRUB SREW

NOTE : THE ORIGINAL DRAWINGS OF THIS ENGINE WERE GIVEN TO BY A FRIEND OF MINE. THE ORIGINAL DRAWINGS WERE ALL IN FRENCH

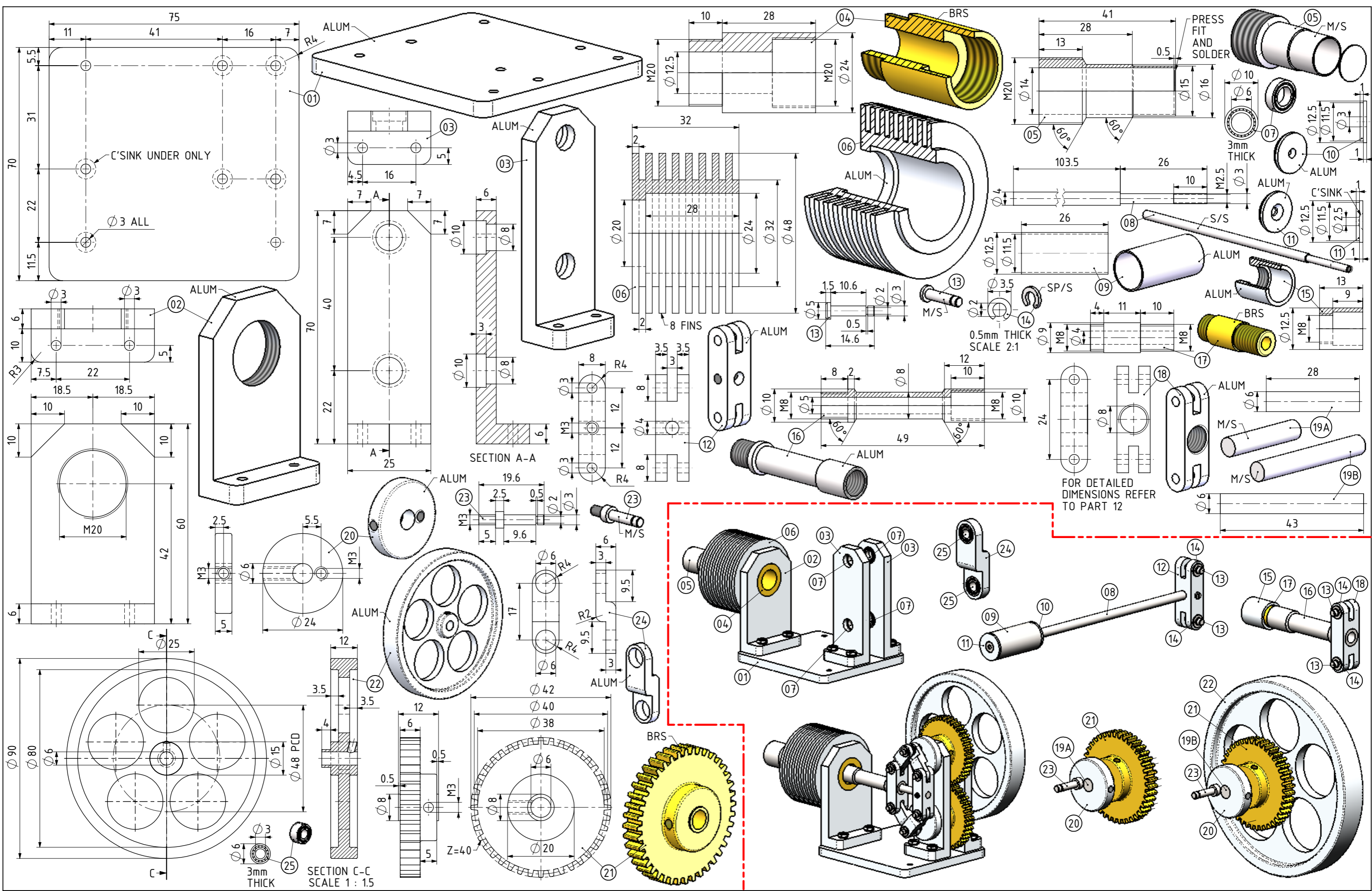
TITLE
HOT AIR ENGINE WITH RHOMBIC DRIVE

DRAWING CONTENTS
GENERAL ARRANGEMENT ISOMETRIC
VIEWS AND BILL OF MATERIALS

PROJECT No
JDW DRAUGHTING SERVICES
J.A.M. DE WAAL, 12 BRIGHTWELL STREET PAKAPURA 2110.
NEW ZEALAND. PHONE: 0064 09 2988815. MOB: 0211791000
E-MAIL: dewaal@xtra.co.nz.

PROJECTION
DATE
JUNE 2013
SHEET:01 OF 02

MODEL SCALE: 1:1
DWG SCALE: 1:1 @A3 OR AS SHOWN
Copyright © J.A.M. DE WAAL PAKAPURA NZ
A3 No: FRENCH-01



NOTE: M/S=MILD STEEL S/S=STAINLESS STEEL or SILVER STEEL C/I=CAST IRON BRS=BRASS BRZ=BRONZE ALUM=ALUMINIUM SP/S=SPRING STEEL

TITLE
HOT AIR ENGINE WITH RHOMBIC DRIVE

DRAWING CONTENTS
PARTS AND ASSEMBLIES

PROJECT No
JDW DRAUGHTING SERVICES
J.A.M. DE WAAL, 12 BRIGHTWELL STREET PAPAOKURA 2110.
NEW ZEALAND. PHONE: 0064 09 2988815. MOB: 0211791000
E-MAIL: dewaal@xtra.co.nz.

PROJECTION
DATE
JUNE 2013
SHEET:02 OF 02

MODEL SCALE: 1:1
DWG SCALE: 1:1 @A3 OR AS SHOWN
Copyright © J.A.M. DE WAAL PAPAOKURA NZ
A3
No: FRENCH-02