



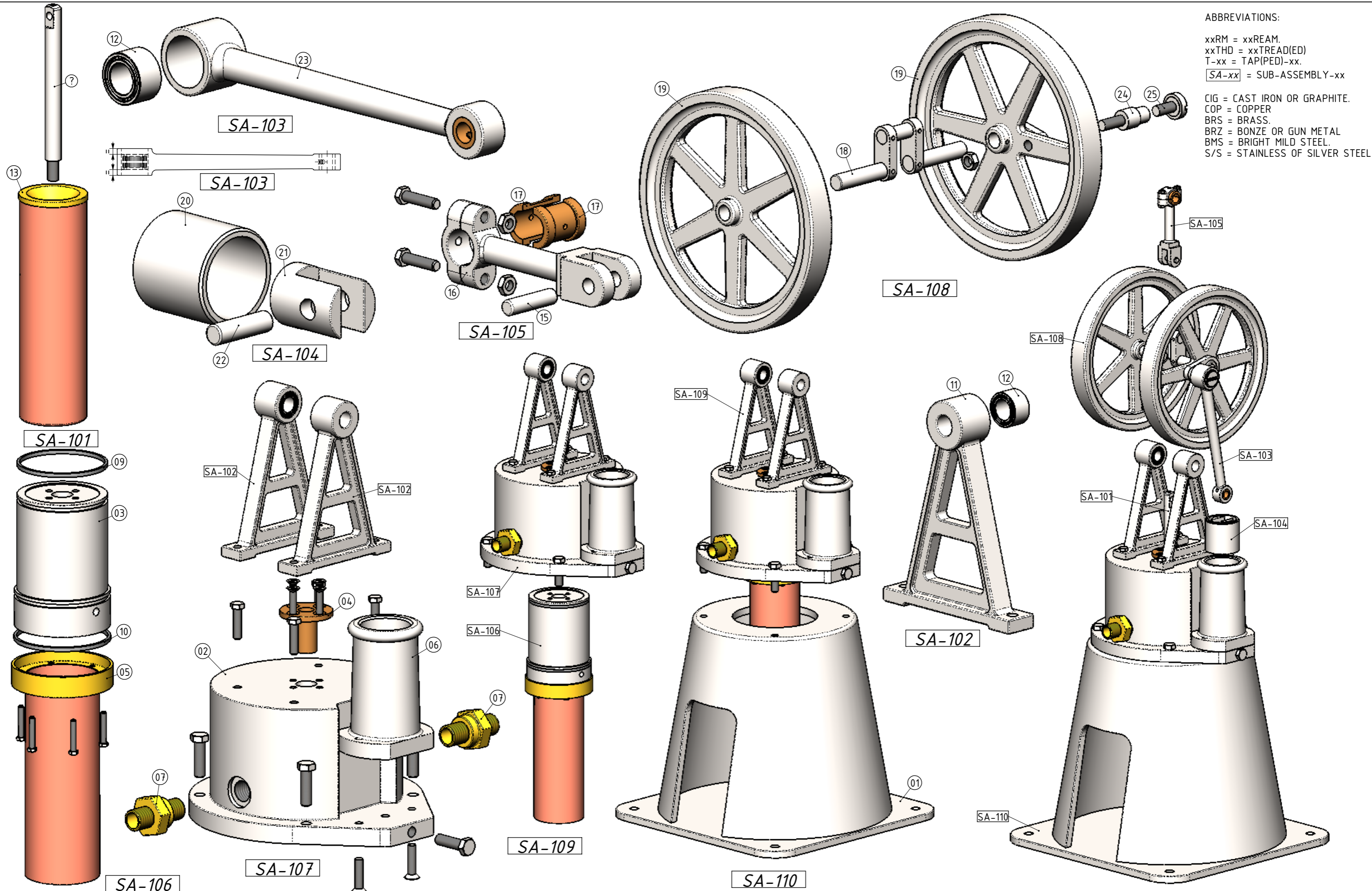




ABBREVIATIONS:

xxRM = xxREAM.  
 xxTHD = xxTREAD(ED)  
 T-xx = TAP(PED)-xx.  
 [SA-xx] = SUB-ASSEMBLY-xx

CIG = CAST IRON OR GRAPHITE.  
 COP = COPPER  
 BRS = BRASS  
 BRZ = BONZE OR GUN METAL  
 BMS = BRIGHT MILD STEEL.  
 S/S = STAINLESS OF SILVER STEEL.



NOTES:  
 TITLE  
 HOT AIR ENGINE (STIRLING ENGINE) OF THE  
 "HINRICI" TYPE BY EDGAR T. WESTBUTY

DRAWING CONTENTS  
 PARTS AND ASSEMBLIES

PROJECT No  
 JDW DRAUGHTING SERVICES  
 J.A.M. DE WAAL, 12 BRIGHTWELL STREET PAPAURA 2110.  
 NEW ZEALAND. PHONE: 0064 09 2988815. MOB: 0211791000  
 E-MAIL: dewaal@xtra.co.nz.

PROJECTION  
 DATE  
 SEPT 2013  
 SHEET:03 OF 03

MODEL SCALE: 1:1  
 DWG SCALE: NTS@A3 OR AS SHOWN  
 Copyright © J.A.M. DE WAAL PAPAURA NZ  
 A3 No: HINRICI-03