

QTY.	PART NUMBER
1	TOM-01-LH-SIDE FRAME
1	TOM-02-RH-SIDE FRAME
2	TOM-03-BEARING TOP
2	TOM-04-BASE PLATE
2	TOM-05-CRANK SHAFT MAIN BEARING
1	TOM-06-CYLINDER
1	TOM-07-WATER JACKET
1	TOM-08-WATER JACKET REAR LID
1	TOM-09-WATER JACKET FRONT LID
1	TOM-10-WATER JACKET TOP TANK
1	TOM-11-WATER JACKET TOP TANK CROWN
1	TOM-12-WATER JACKET BOTTOM GLAND
1	TOM-13-CYLINDER FRONT LID
1	TOM-14-VALVE BASE
1	TOM-15-EXHAUST VALVE
1	TOM-16-EXHAUST VALVE BOTTOM BASE
1	TOM-17-EXHAUST VALVE TOP BASE
1	TOM-18-EXHAUST VALVE INLET PIPE
1	TOM-19-EXHAUST VALVE EXTERNAL HOUSING
1	TOM-20-EXHAUST VALVE HOUSING TOP
1	TOM-21-EXHAUST VALVE OULET PIPE
1	TOM-22-EXHAUST VALVE INTERNAL SPACER RING
1	TOM-23-FRONT VALVE ROD HOLDER
1	TOM-24-FRONT VALVE ROD HOLDER PIN
1	TOM-25-REAR VALVE ROD HOLDER
1	TOM-26-REAR VALVE ROD HOLDER SPRING PIN
1	TOM-27-ROLLER FOR PART 23
1	TOM-28-ROLLER FOR PART 25
1	TOM-29-CRANK SHAFT
2	TOM-30-FLYWHEEL
2	TOM-31-CRANK SHAFT SPACER
1	TOM-32-PISTON
1	TOM-33-PISTON CONNECTOR
1	TOM-34-CON ROD
1	TOM-35-CON ROD BIG END
1	TOM-36-CAM
1	TOM-37-INLET VALVE
1	TOM-38-INLET VALVE SPRING
1	TOM-39-INLET VALVE PUSH ROD
1	TOM-40-INLET VALVE PUSH ROD SPRING HOLDER PIN
2	TOM-41-INLET VALVE PUSH ROD SPACER
1	TOM-42-INLET VALVE PUSH ROD BALL BEARING
1	TOM-43-INLET VALVE PUSH ROD SPRING
1	TOM-44-WOOD BASE
1	TOM-45-FUEL TANK BARREL
2	TOM-46-FUEL TANK BARREL END
1	TOM-47-FUEL TANK FILLING GLAND
1	TOM-48-FUEL TANK FILLING CAP
1	TOM-49-FUEL TANK FILLING CAP VENT PIPE
1	TOM-50-FUEL TANK WICK HOLDER
2	TOM-51-FUEL TANK END BRACKET
1	TOM-52-FUEL TANK HOLDING DOWN BRACKET
4	TOM-53-BASE PLATE LOCATION PIN
2	TOM-M2.5 NUT
1	TOM-M2.5x5 P-HEAD SCREW
1	TOM-M3 NUT
1	TOM-M3x10 P-HEAD SCREW
4	TOM-M3x12 P-HEAD SCREW
2	TOM-M3x15 P-HEAD SCREW
4	TOM-M3x6 GRUB SCREW
4	TOM-M4x12 P-HEAD SCREW
10	TOM-M4x16 P-HEAD SCREW
1	TOM-M4x9 P-HEAD SCREW
1	TOM-M6x8
4	TOM-RIVET 1.5x2.5
2	TOM-WOOD SCREW 3x12
4	TOM-WOOD SCREW 4x15

NOTES:
 TITLE
FLAME EATING ENGINE CALLED "TOM"
BY PETER BAY 73230 KIRCHHEIM, GERMANY

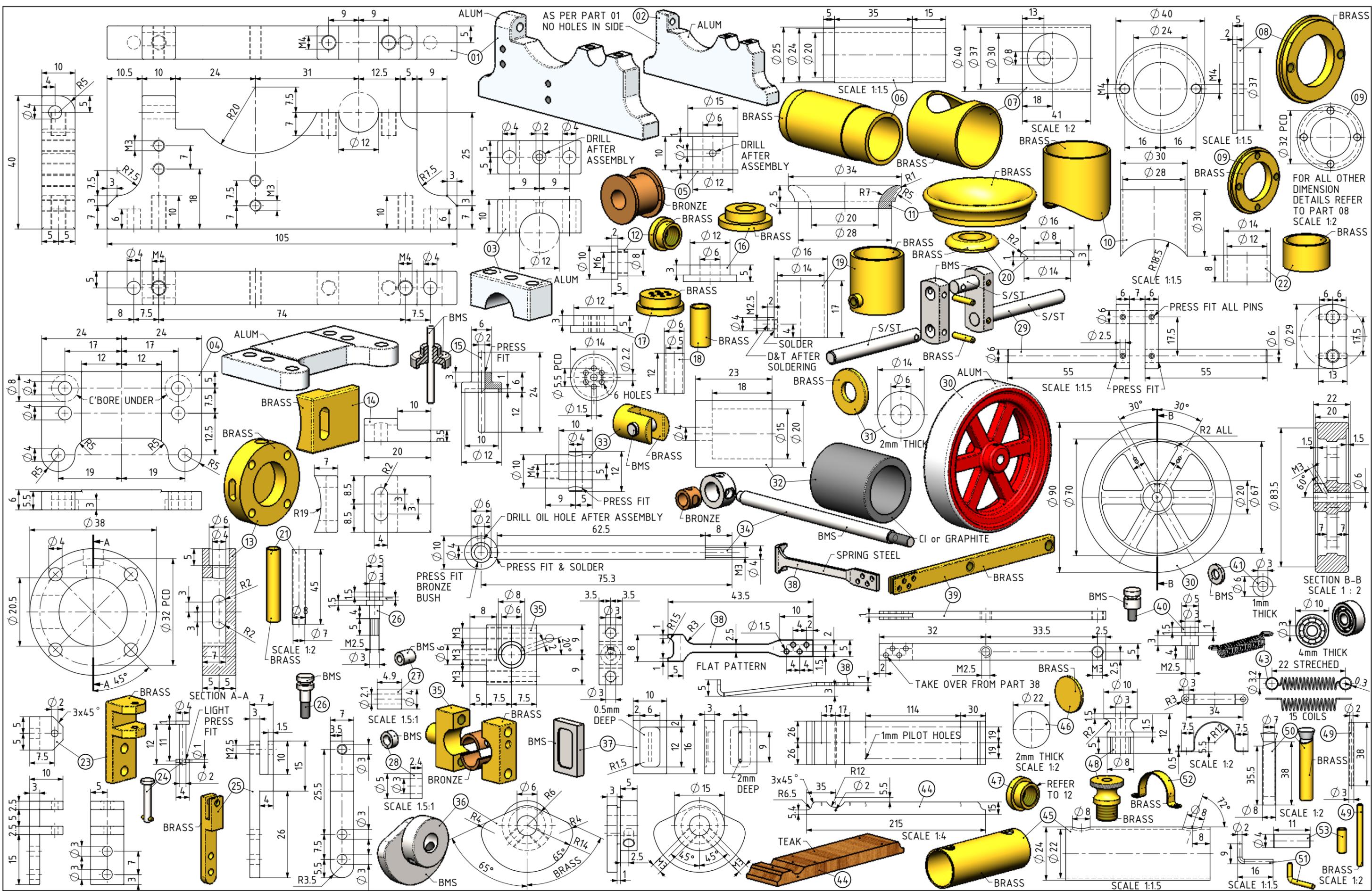
DRAWING CONTENTS
**GENERAL ARRANGEMENT AND
 ISOMETRIC VIEW**

PROJECT No
JDW DRAUGHTING SERVICES
 J.A.M. DE WAAL, 12 BRIGHTWELL STREET PAPAOKURA 2110.
 NEW ZEALAND. PHONE: 0064 09 2988815. MOB: 0211791000
 E-MAIL: dewaal@xtra.co.nz.

PROJECTION

 DATE
AUGUST 2013
 SHEET:01 OF 04

MODEL SCALE: 1:1
 DWG SCALE: 1:1 @A3 OR AS SHOWN
 Copyright © J.A.M. DE WAAL PAPAOKURA NZ
A3 No: TOM-01



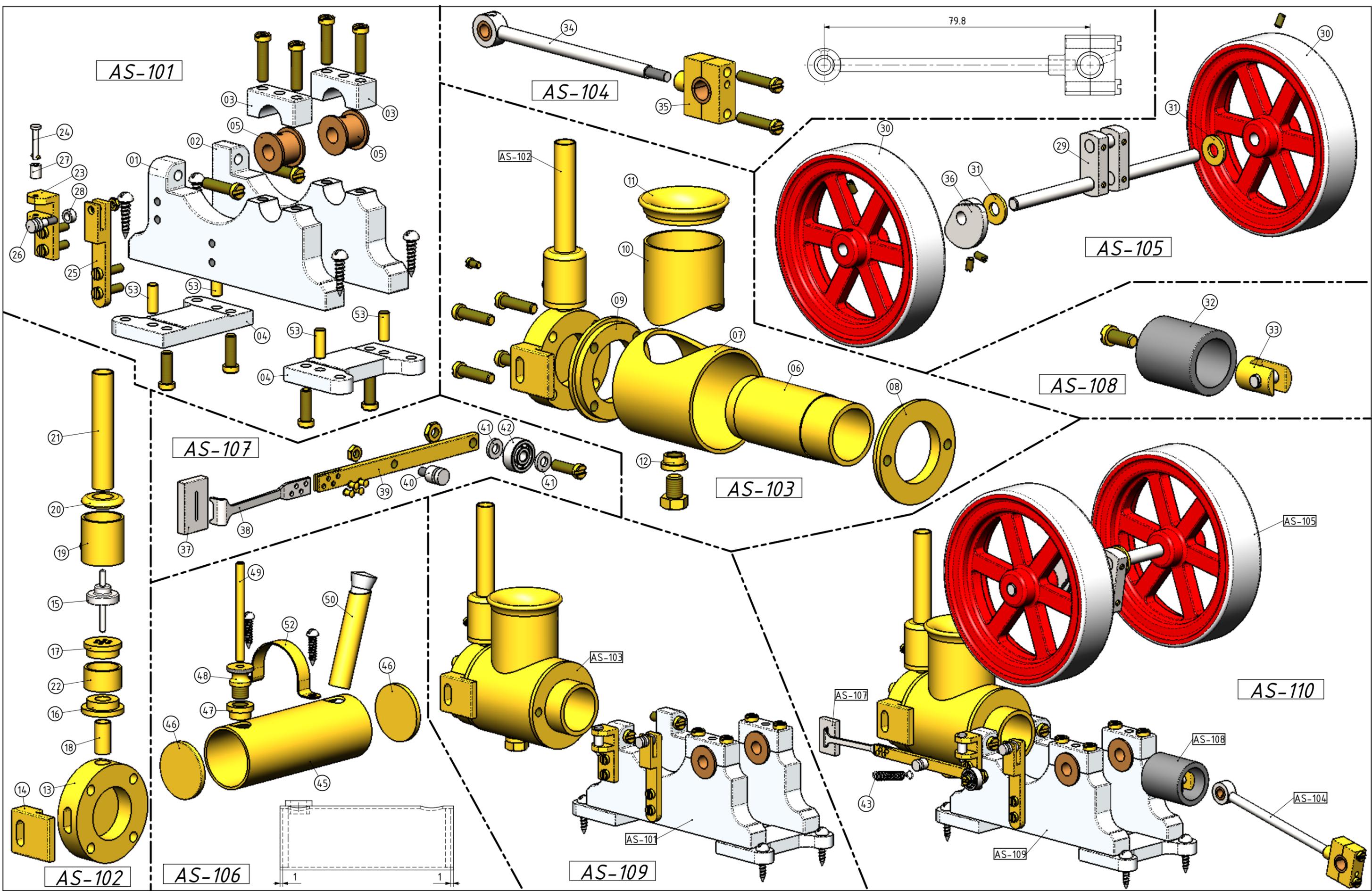
NOTES:
 TITLE
FLAME EATING ENGINE CALLED "TOM"
BY PETER BAY 73230 KIRCHHEIM, GERMANY

DRAWING CONTENTS
PARTS AND ASSEMBLIES

PROJECT No
JDW DRAUGHTING SERVICES
 J.A.M. DE WAAL, 12 BRIGHTWELL STREET PAPAURA 2110.
 NEW ZEALAND. PHONE: 0664 09 2988815. MOB: 0211791000
 E-MAIL: dewaal@xtra.co.nz.

PROJECTION
 DATE
AUGUST 2013

MODEL SCALE: 1:1
 DWG SCALE: 1:1 @A3 OR AS SHOWN
 Copyright © J.A.M. DE WAAL PAPAURA NZ
SHEET:02 OF 04 A3 No: TOM-02



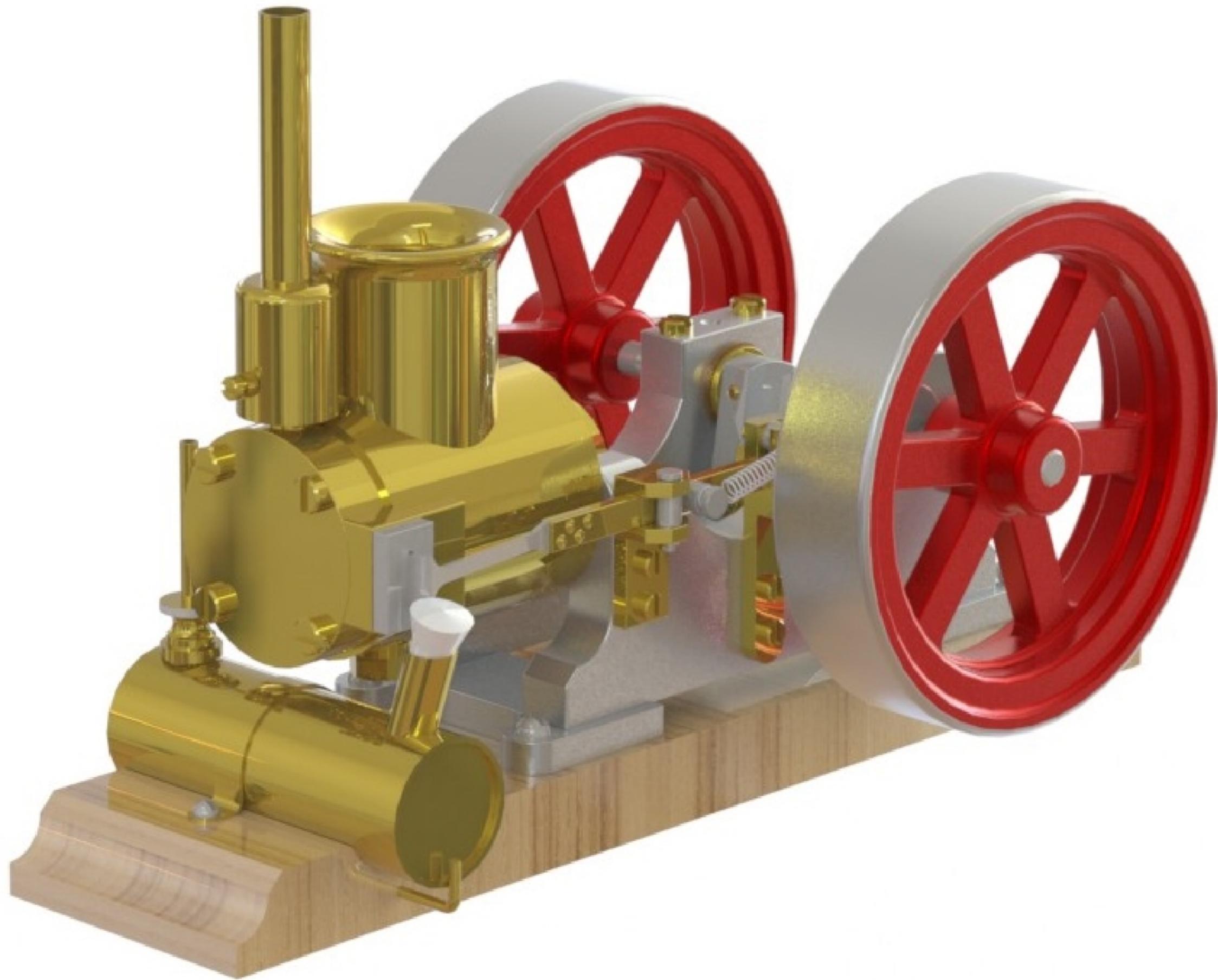
NOTES:
 TITLE
FLAME EATING ENGINE CALLED "TOM"
 BY PETER BAY 73230 KIRCHHEIM, GERMANY

DRAWING CONTENTS
PARTS AND ASSEMBLIES

PROJECT No
JDW DRAUGHTING SERVICES
 J.A.M. DE WAAL, 12 BRIGHTWELL STREET PAPAOKURA 2110.
 NEW ZEALAND. PHONE: 0064 09 2988815. MOB: 0211791000
 E-MAIL: dewaal@xtra.co.nz.

PROJECTION
 DATE
AUGUST 2013
 SHEET:03 OF 04

MODEL SCALE: 1:1
 DWG SCALE: 1:1 @A3 OR AS SHOWN
 Copyright © J.A.M. DE WAAL PAPAOKURA NZ
A3 No: TOM-03



NOTES:
 TITLE
 FLAME EATING ENGINE CALLED "TOM"
 BY PETER BAY 73230 KIRCHHEIM, GERMANY

DRAWING CONTENTS
 GENERAL ARRANGEMENT
 ISOMETRIC VIEW

PROJECT No
 JDW DRAUGHTING SERVICES
 J.A.M. DE WAAL, 12 BRIGHTWELL STREET PAPAURA 2110,
 NEW ZEALAND. PHONE: 0064 09 2988815. MOB: 0211791000
 E-MAIL: dewaal@xtra.co.nz.

PROJECTION

 DATE
 AUGUST 2013
 SHEET:04 OF 0

MODEL SCALE: 1:1
 DWG SCALE: 1:1 @A3 OR AS SHOWN
 Copyright © J.A.M. DE WAAL PAPAURA NZ
 A3 No: TOM-04