

QTY.	PART NUMBER
1	AFCF1-01-BASE PLATE
1	AFCF1-02-CYLINDER SUPPORT
1	AFCF1-03-CRANK SHAFT BEARING SUPPORT
2	AFCF1-04-CRANK SHAFT BEARING
1	AFCF1-05-CYLINDER
1	AFCF1-06-VALVE ROD GUIDE
1	AFCF1-07-CRANK SHAFT
1	AFCF1-08-CRANK
1	AFCF1-09-FLYWHEEL
1	AFCF1-10-PISTON
1	AFCF1-11-PISTON PIN
1	AFCF1-12-CON-ROD
1	AFCF1-13-CAM
1	AFCF1-14-CAM FOLLOWER ROLLER
1	AFCF1-15-CAM FOLLOWER BRACKET
1	AFCF1-16-VALVE ROD
1	AFCF1-17-VALVE SPRING
1	AFCF1-18-VALVE
1	AFCF1-19-CAM FOLLOWER ROLLER AXLE
1	AFCF1-20-WOOD BASE
1	AFCF1-21-FUEL TANK
2	AFCF1-M3 NUT
1	AFCF1-M3x1 WASHER
1	AFCF1-M3x14 P-HEAD SCREW
4	AFCF1-M3x15 P-HEAD SCREW
4	AFCF1-M3x20 C-SINK SCREW
3	AFCF1-M3x8 GRUB SCREW
4	AFCF1-WOOD SCREW 4x15

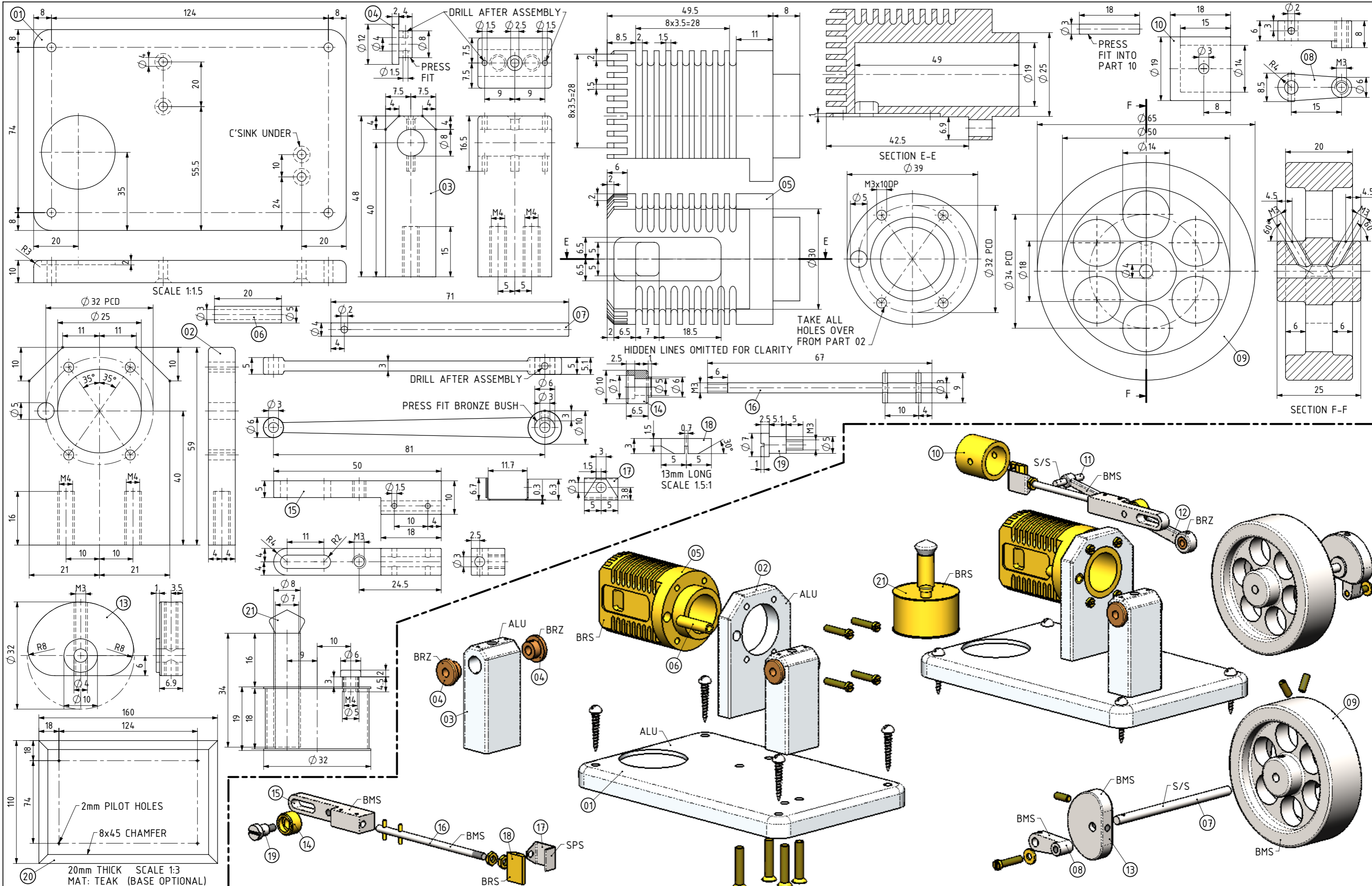
NOTES:
 TITLE
 VACUUM ENGINE NAMED "ACFF1" BY C.FOURNIER

DRAWING CONTENTS
 GENERAL ARRANGEMNTS, ISOMETRIC
 VIEWS AND BILL OF MATERIALS

PROJECT No
 JDW DRAUGHTING SERVICES
 J.A.M. DE WAAL, 12 BRIGHTWELL STREET PAKAPURA 2110.
 NEW ZEALAND. PHONE: 0064 09 2988815. MOB: 0211791000
 E-MAIL: dewaal@xtra.co.nz.

PROJECTION
 DATE
 SEPT-2013
 SHEET:01 OF 03

MODEL SCALE: 1:1
 DWG SCALE: 1:1 @A3 OR AS SHOWN
 Copyright © J.A.M. DE WAAL PAKAPURA NZ
 A3 No: AFCF1-01



NOTES: ALU=ALUMINIUM BRS=BRASS BRZ=BRONZE S/S=SILVER OR STAINLESS STEEL SPS=SPRING STEEL BMS=BRIGHT MILDSTEEL (ST37)

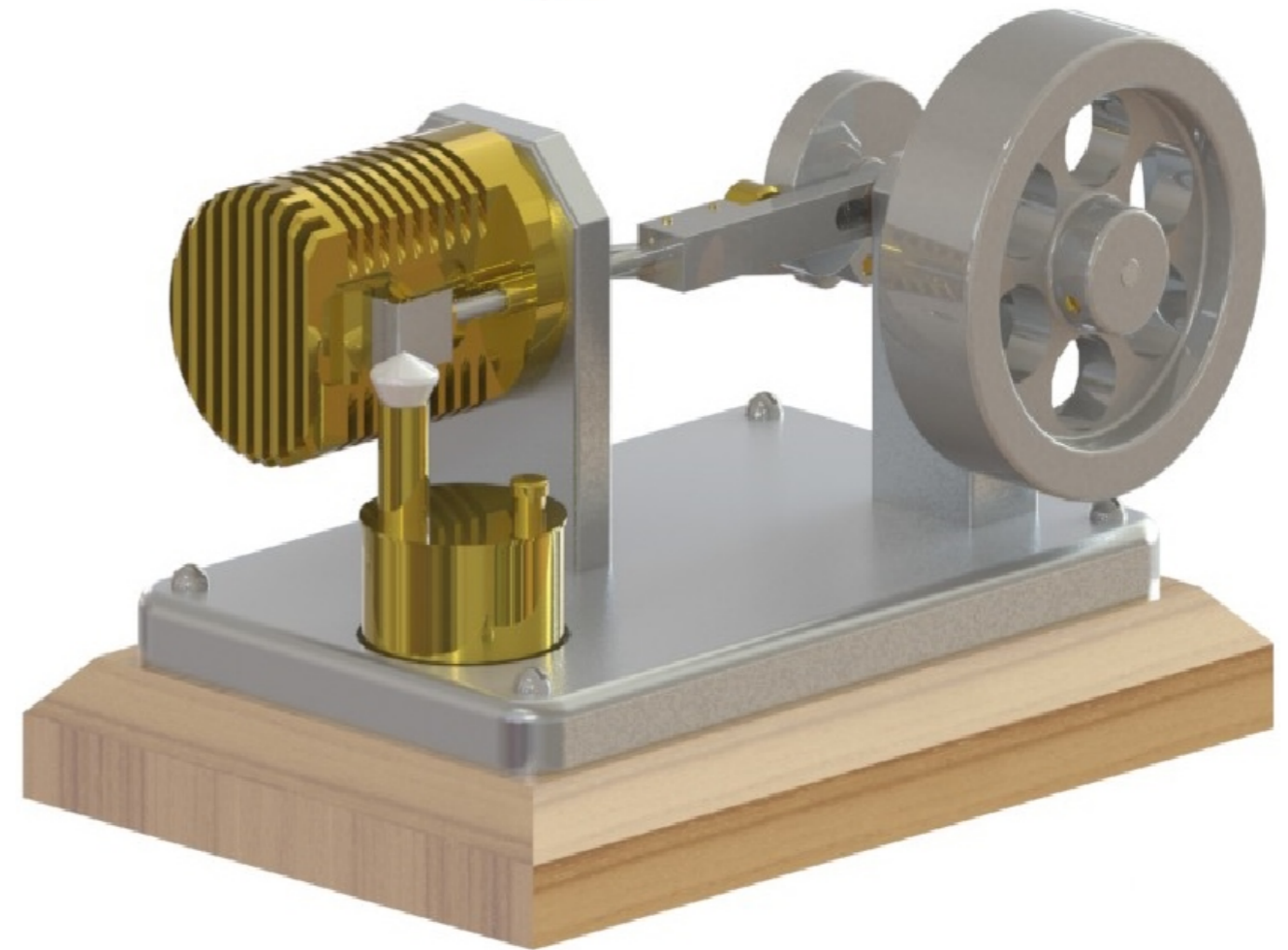
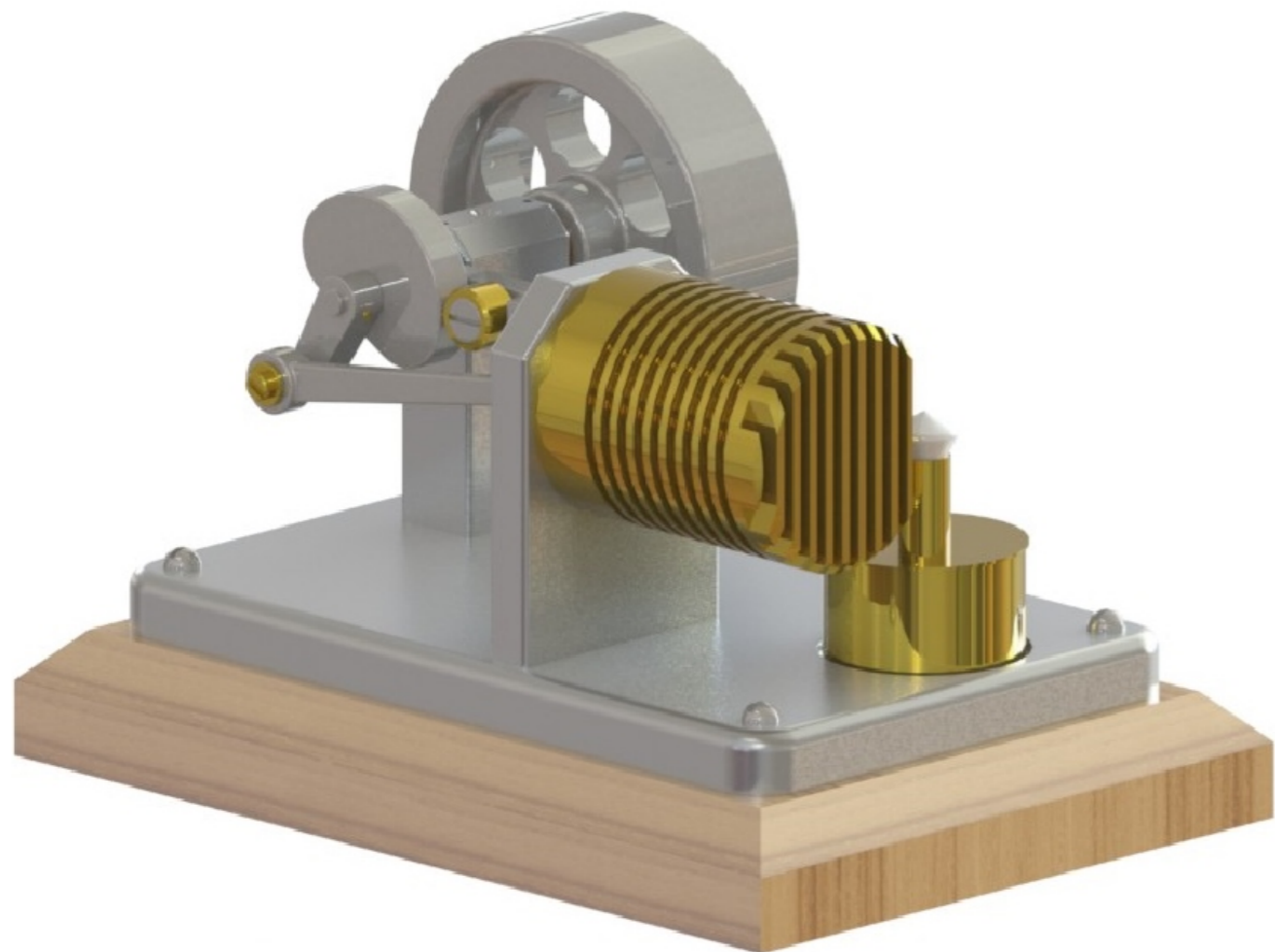
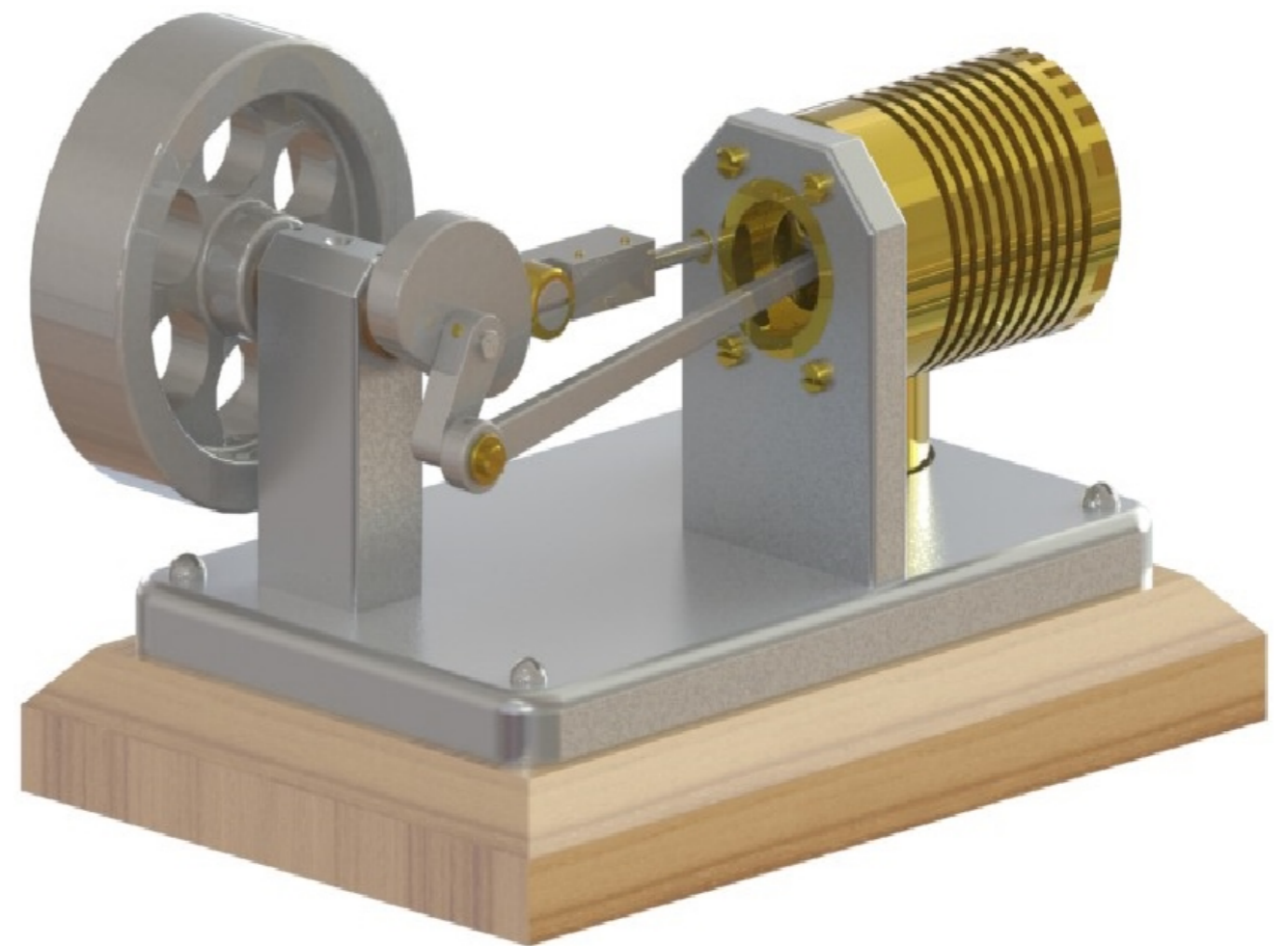
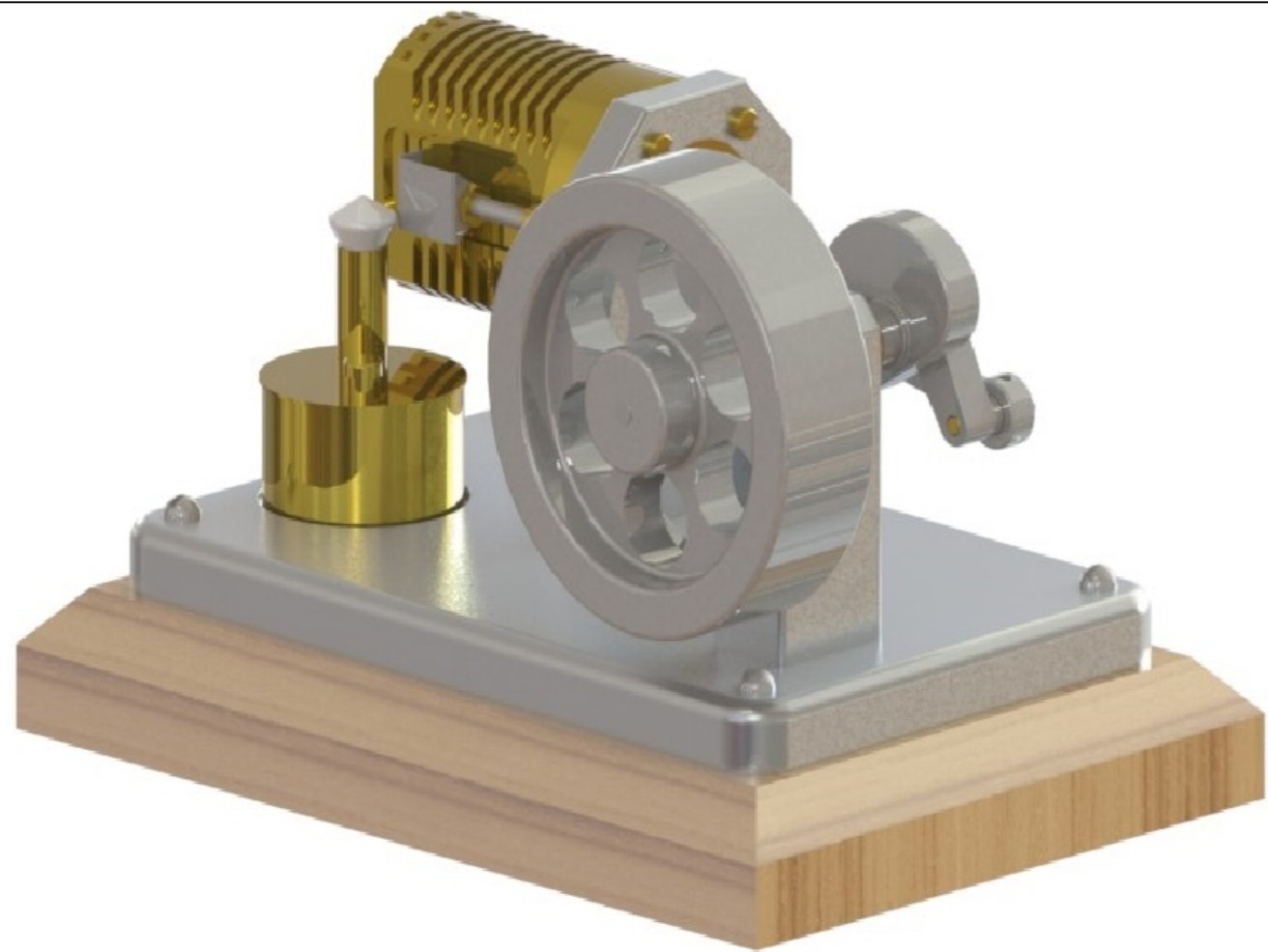
TITLE
VACUUM ENGINE NAMED "ACFF1" BY C.FOURNIER

DRAWING CONTENTS
PARTS AND ASSEMBLIES

PROJECT No
JDW DRAUGHTING SERVICES
 J.A.M. DE WAAL, 12 BRIGHTWELL STREET PAPA KURA 2110.
 NEW ZEALAND. PHONE: 0064 09 2988815. MOB: 0211791000
 E-MAIL: dewaal@xtra.co.nz.

PROJECTION
 DATE
SEPT-2013
 SHEET:02 OF 03

MODEL SCALE: 1:1
 DWG SCALE: 1:1 @A3 OR AS SHOWN
 Copyright © J.A.M. DE WAAL PAPA KURA NZ
A3 No: AFCE1-02




NOTES: ALU=ALUMINIUM BRS=BRASS BRZ=BRONZE S/S=SILVER OR STAINLESS STEEL SPS=SPRING STEEL BMS=BRIGHT MILDSTEEL (ST37)

TITLE
VACUUM ENGINE NAMED "ACFF1" BY C.FOURNIER

DRAWING CONTENTS
RENDERED ISOMETRIC VIEWS

PROJECT No
JDW DRAUGHTING SERVICES
 J.A.M. DE WAAL, 12 BRIGHTWELL STREET PAKAPURA 2110.
 NEW ZEALAND. PHONE: 0064 09 2988815. MOB: 0211791000
 E-MAIL: dewaal@xtra.co.nz.

PROJECTION

 DATE
SEPT-2013
 SHEET:03 OF 03

MODEL SCALE: 1:1
 DWG SCALE: 1:1 @A3 OR AS SHOWN
 Copyright © J.A.M. DE WAAL PAKAPURA NZ
A3 No: AFCE1-03