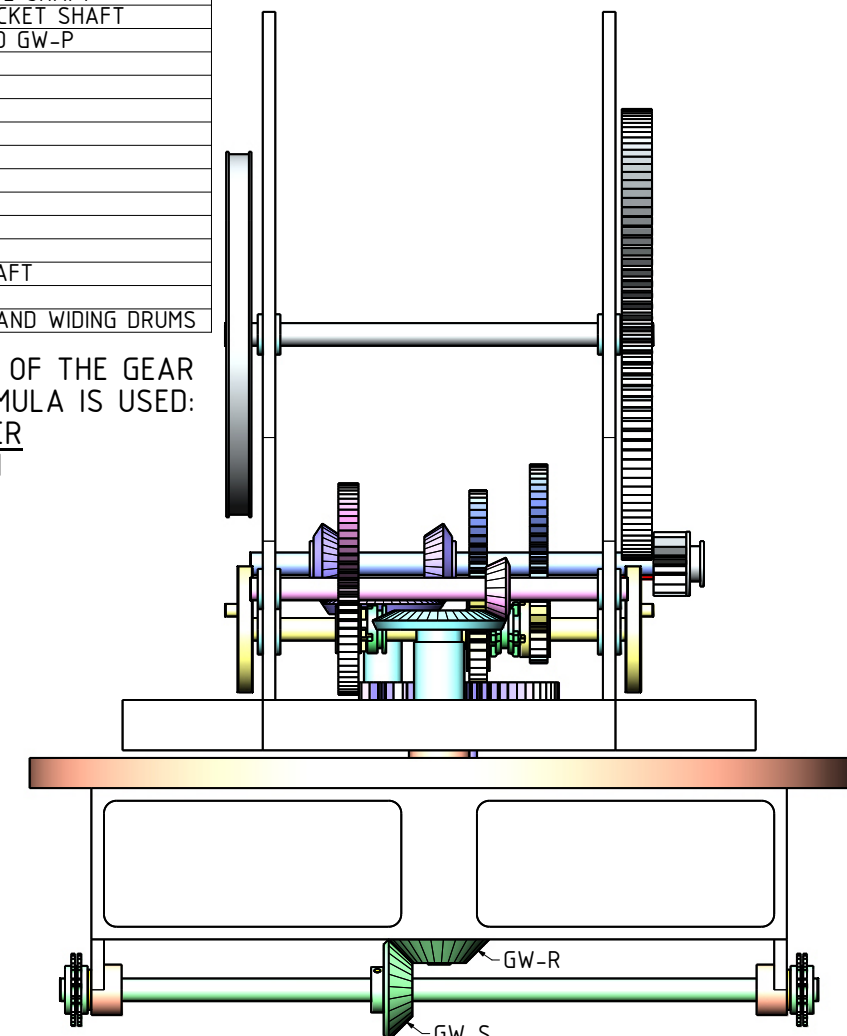
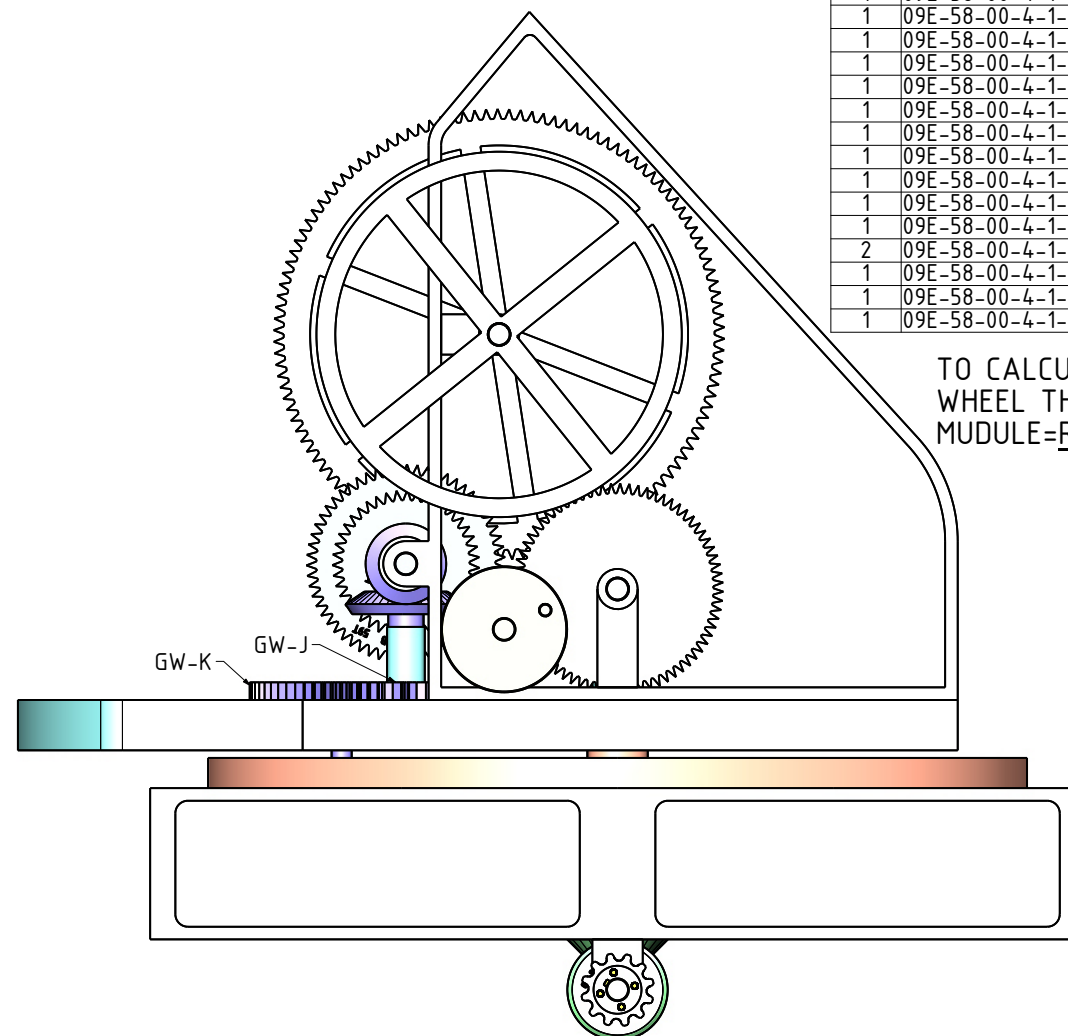
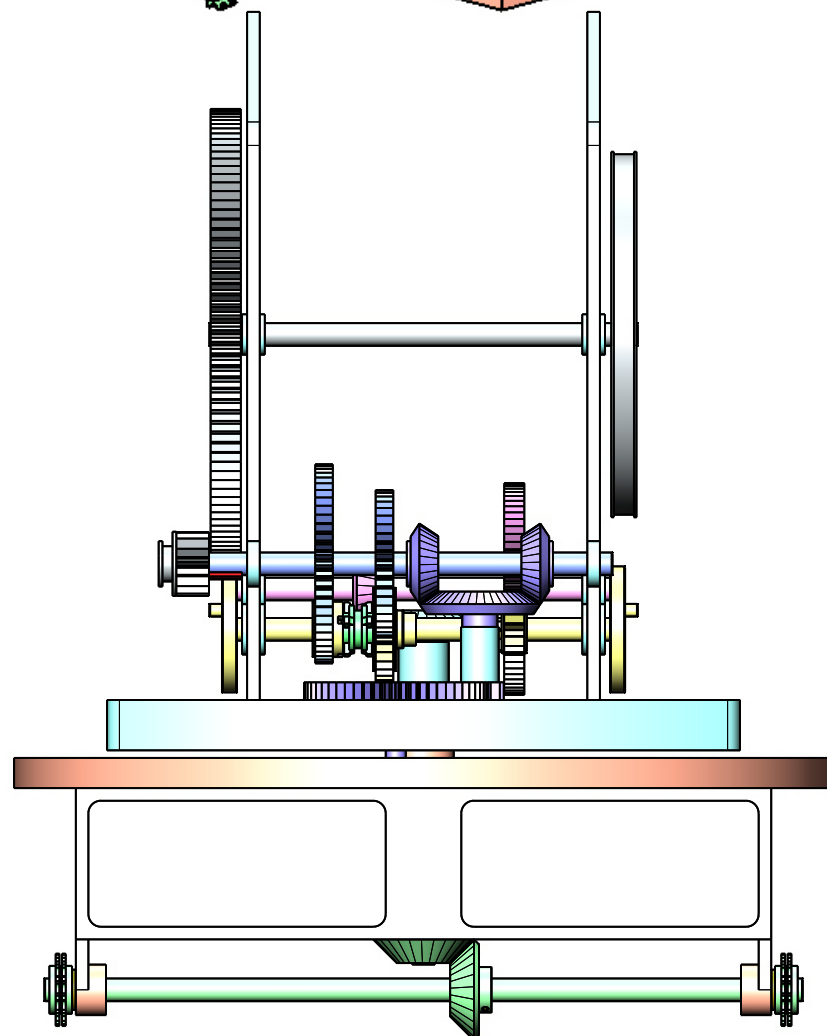


QTY.	PART NUMBER
1	09E-58-00-4-1-01-TRAVELING PLATFORM
1	09E-58-00-4-1-02-TOP SUPER STRUCTURE
1	09E-58-00-4-1-03-CHAIN SPROCKET DRIVE SHAFT
1	09E-58-00-4-1-04-CENTER DRIVEN SPROCKET SHAFT
1	09E-58-00-4-1-05-AXLE WITH GW-O AND GW-P
1	09E-58-00-4-1-06-CRANK SHAFT
1	09E-58-00-4-1-07-GEARWHEEL-N
1	09E-58-00-4-1-08-GEARWHEEL-E
1	09E-58-00-4-1-09-GEARWHEEL-A
1	09E-58-00-4-1-10-CLUTCH-A
1	09E-58-00-4-1-11-CLUTCH-B
1	09E-58-00-4-1-12-GW-L AND -K+SHAFT
1	09E-58-00-4-1-13-GW-J AND -H+SHAFT
2	09E-58-00-4-1-14-BEVEL GEAR WHEEL-G
1	09E-58-00-4-1-15-GW-B AND GW-F+ SHAFT
1	09E-58-00-4-1-16-GEAR WHEEL-C
1	09E-58-00-4-1-17-GW-D+SHAFT+BRAKE AND WIDING DRUMS

TO CALCULATE THE MODULE OF THE GEAR WHEEL THE FOLLOWING FORMULA IS USED:  

$$\text{MODULE} = \frac{\text{REFERENCE DIAMETER}}{\text{NUMBER OF TEETH}}$$



NOTES: THE ORIGINAL DRAWINGS WERE GIVEN TO ME BY RONY SPRENT, AUSTRALIA

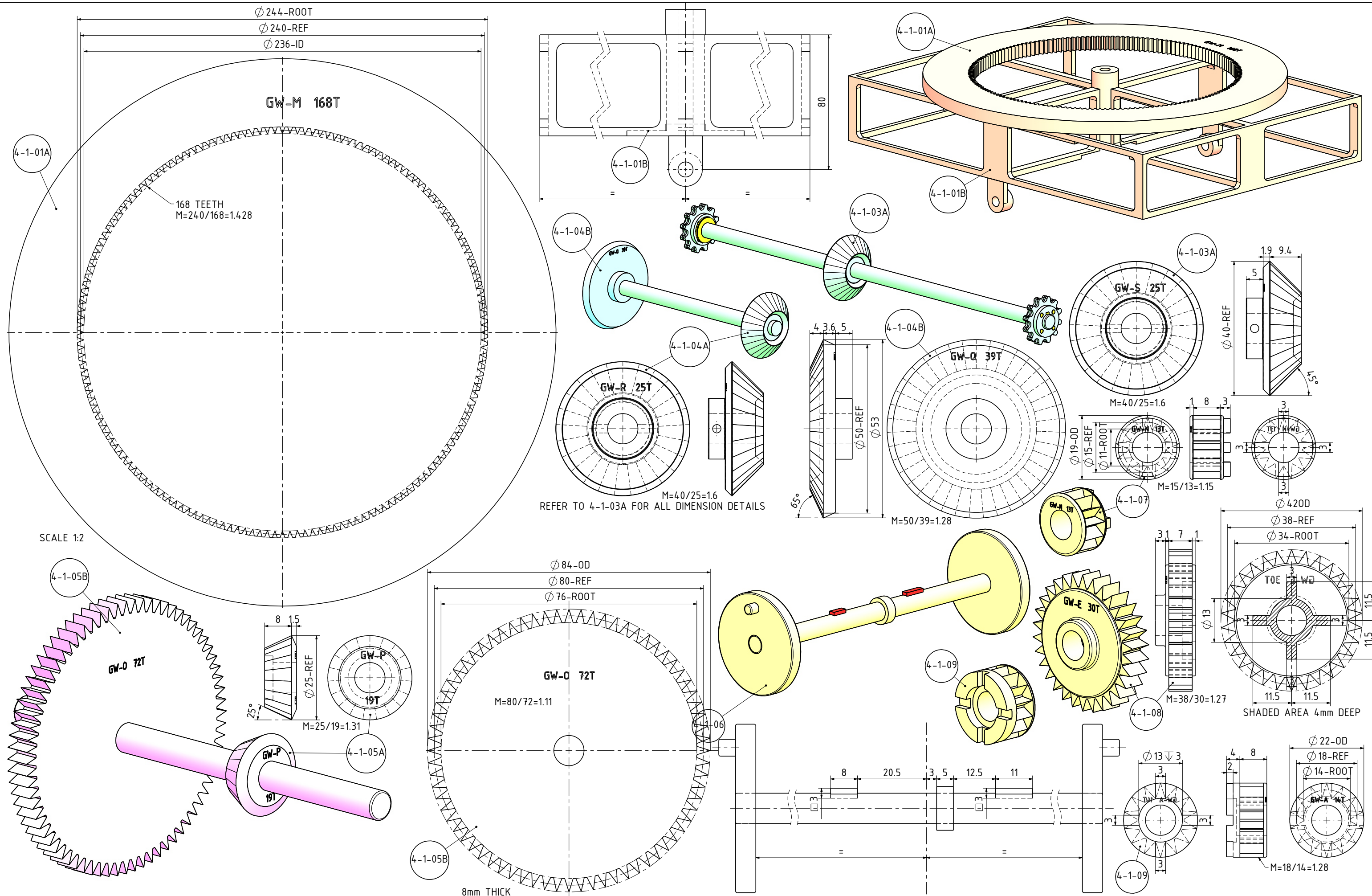
TITLE  
**A MODEL OF A 25 TONS STEAM CRANE  
 BUILT BY "JESSOP & APPLEBY"**

DRAWING CONTENTS  
**GEAR WHEELS ANIMATION  
 G.A.& GEAR WHEEL IDENTIFICATION**

PROJECT No 09E-58-00  
 JDW DRAUGHTING SERVICES  
 J.A.M. DE WAAL, 12 BRIGHTWELL STREET PAPA KURA  
 2110, NEW ZEALAND. PHONE: 0064 09 2988815. MOB:  
 0211791000 E-MAIL: dewaal@xtra.co.nz.

PROJECTION **JDWDS** MODEL SCALE: 1:12.7 (1/2inch)  
 DWG SCALE: 1:1 @A3 OR AS SHOWN  
 DATE FEBRUARY 2022 Copyright © J.A.M. DE WAAL PAPA KURA NZ  
 SHEET: A1 OF A4 **A3** No: 09E-58-00-SHT-A1

**DRAWINGS ARE FOR PERSONAL USE ONLY NOT FOR COMMERCIAL PURPOSES**



NOTES: THE ORIGINAL DRAWINGS WERE GIVEN TO ME BY RONY SPRENT, AUSTRALIA

TITLE  
**A MODEL OF A 25 TONS STEAM CRANE  
 BUILT BY "JESSOP & APPLEBY"**

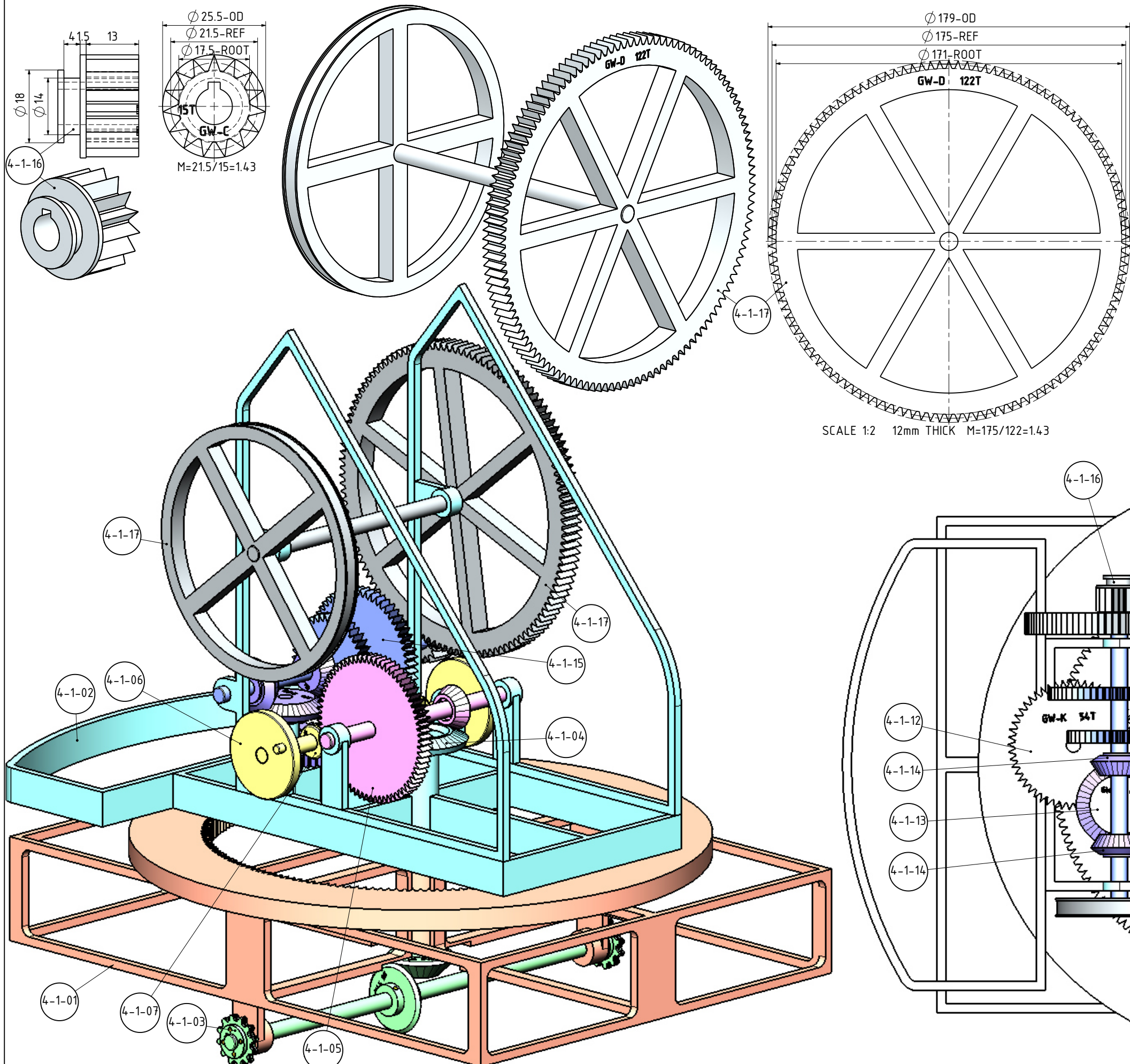
DRAWING CONTENTS  
**GEAR WHEELS ANIMATION  
 PARTS AND ASSEMBLIES**

PROJECT No 09E-58-00  
 JDW DRAUGHTING SERVICES  
 J.A.M. DE WAAL, 12 BRIGHTWELL STREET PAPAOKURA  
 2110, NEW ZEALAND. PHONE: 0064 09 2988815. MOB:  
 0211791000 E-MAIL: dewaal@xtra.co.nz.

PROJECTION **JDWDS** MODEL SCALE: 1:12.7 (1/2inch)  
 DWG SCALE: 1:1 @A3 OR AS SHOWN  
 DATE FEBRUARY 2022 Copyright © J.A.M. DE WAAL PAPAOKURA NZ  
 SHEET: A2 OF A4 **A3** No: 09E-58-00-SHT-A2

**DRAWINGS ARE FOR PERSONAL USE ONLY NOT FOR COMMERCIAL PURPOSES**

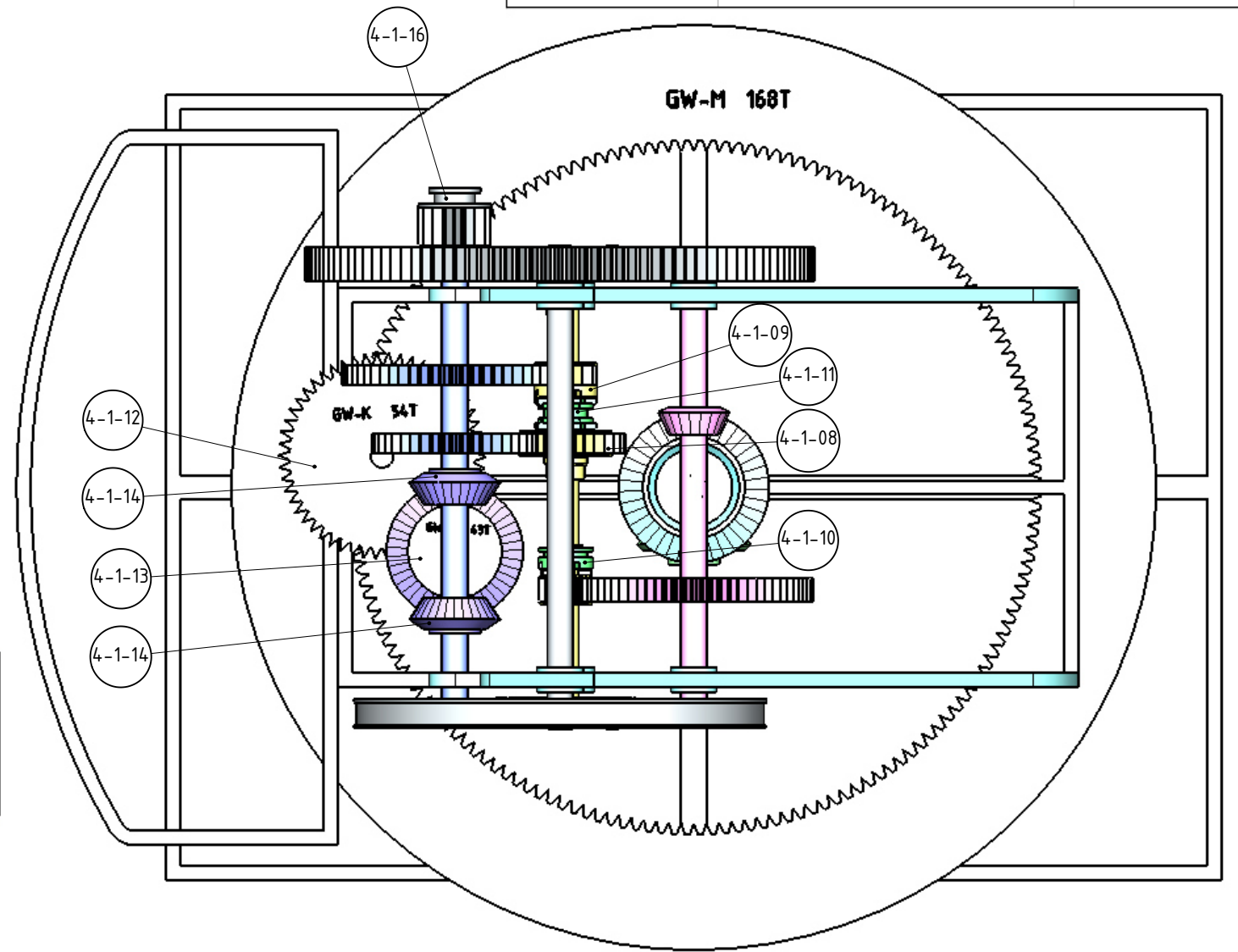




GW	ROOT DIA	REF DIA	OD DIA	NO TEETH	MODULE	THICKNESS	BORE	TYPE	USED FOR
A	14	18	22	14	1.286	7	8	FLAT	LIFTING
B	71	75	79	59	1.271	7	9	FLAT	LIFTING
C	17.5	21.5	25.5	15	1.433	13	9	FLAT	LIFTING
D	171	175	179	122	1.434	12	12	FLAT	LIFTING
E	34	38	42	30	1.267	7	8	FLAT	LIFTING
F	50.5	54.5	58.5	43	1.267	7	9	FLAT	LIFTING
G	28	32	36	29	1.103	8.5	8	BEVEL	SLEWING
H	44	48	52	43	1.116	8	7	BEVEL	SLEWING
J	11	15	19	12	1.250	7	7	FLAT	SLEWING
K	65	69	73	54	1.278	7	8	FLAT	SLEWING
L	16	20	24	14	1.429	11.5	8	FLAT	SLEWING
M	236	240	244	168	1.429	11		FLAT	SLEWING
N	11	15	19	13	1.154	8.5	8	FLAT	TRAVEL
O	76	80	84	72	1.111	8	8	FLAT	TRAVEL
P		25	25	19	1.316	9	8	BEVEL	TRAVEL
Q		50	50	39	1.282	8	9	BEVEL	TRAVEL
R		40	40	25	1.600	12	8	MITRE	TRAVEL
S		40	40	25	1.600	12	9	MITRE	TRAVEL

NOTES: 1) FOR THE BEVEL AND MITRE GEARS THE REF-DIAMETER AND THE OD-DIAMETER ARE THE SAME  
 2) SOME DIMENSION HAVE BEEN ROUNDED OFF TO THE NEAREST 0.5mm/1mm

SCALE 1:2 12mm THICK M=175/122=1.43



NOTES: THE ORIGINAL DRAWINGS WERE GIVEN TO ME BY RONY SPRENT, AUSTRALIA

TITLE  
**A MODEL OF A 25 TONS STEAM CRANE  
 BUILT BY "JESSOP & APPLEBY"**

DRAWING CONTENTS  
**GEAR WHEELS ANIMATION  
 PARTS AND ASSEMBLIES, TABLE**

PROJECT No 09E-58-00  
 JDW DRAUGHTING SERVICES  
 J.A.M. DE WAAL, 12 BRIGHTWELL STREET PAPA KURA  
 2110, NEW ZEALAND. PHONE: 0064 09 2988815. MOB:  
 0211791000 E-MAIL: dewaal@xtra.co.nz.

PROJECTION  
**JDWDS** MODEL SCALE: 1:12.7 (1/2inch)  
 DWG SCALE: 1:1 @A3 OR AS SHOWN  
 DATE FEBRUARY 2022 Copyright © J.A.M. DE WAAL PAPA KURA NZ  
 SHEET: A4 OF A4 A3 No: 09E-58-00-SHT-A4

**DRAWINGS ARE FOR PERSONAL USE ONLY NOT FOR COMMERCIAL PURPOSES**