

NOTES: THIS DESIGN OF THE 5" LOCO IS LOOSELY BASED ON THE FREELANCE NARROW GAUGE SADDLE TANK LOCOMOTIVE WHICH WAS DESIGNED AND BUILT BY MARTIN EVANS AS DESCRIBED IN THE MODEL ENGINEER MAGAZINE(S) STARTED ON THE 18 APRIL 1980.

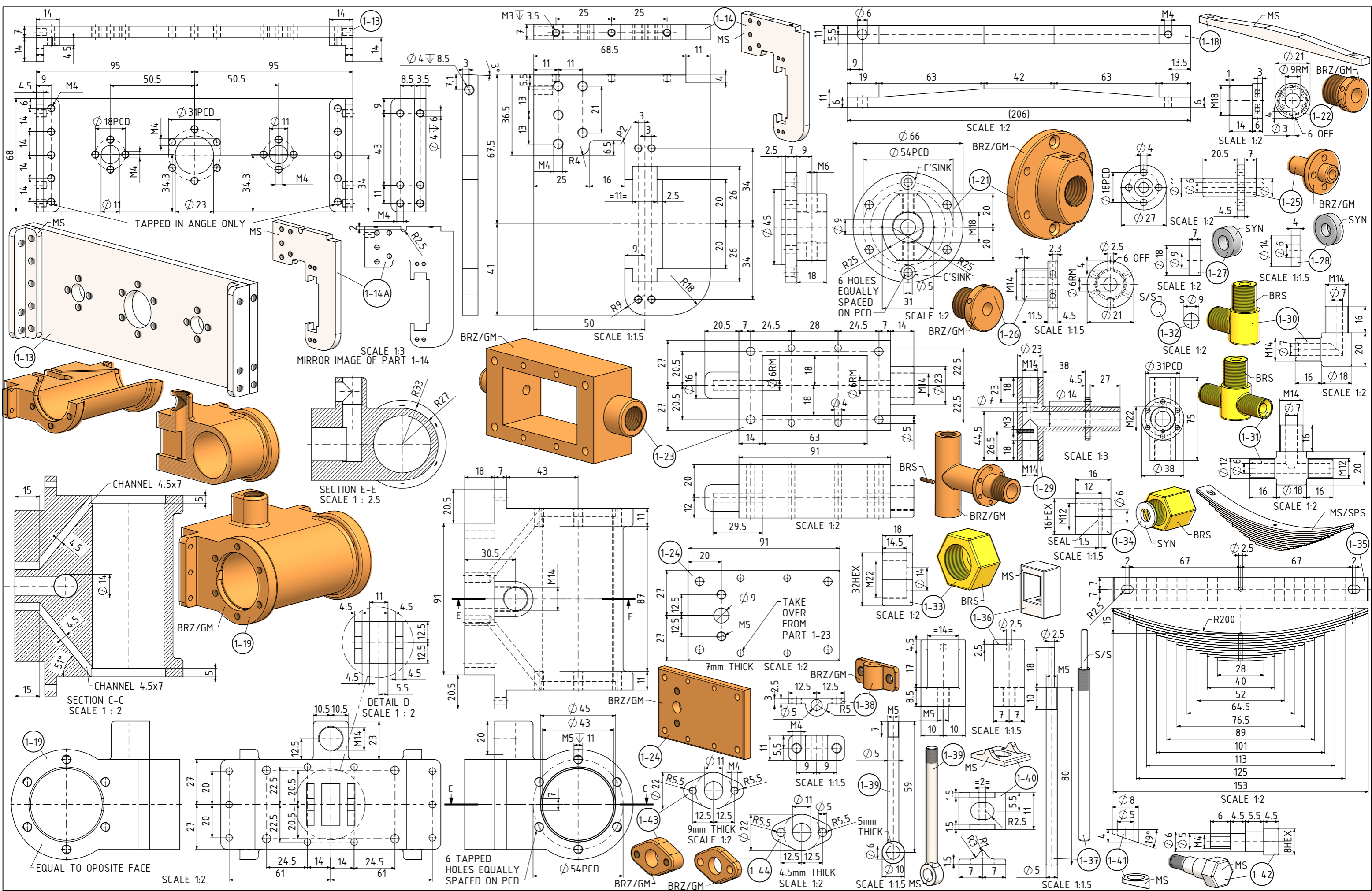
TITLE
**COAL FIRED NARROW GAUGE STEAM LOCO
 FOR 5"/127mm GAUGE CALLED "CONWAY"**

DRAWING CONTENTS
PARTS & ASSEMBLIES

PROJECT No 07B-06-00
 JDW DRAUGHTING SERVICES
 J.A.M. DE WAAL, 12 BRIGHTWELL STREET PAKAPURA 2110.
 NEW ZEALAND. PHONE: 064 09 2988815. MOB: 0211791000
 E-MAIL: dewaal@xtra.co.nz.

PROJECTION
JDWDS
 DATE MARCH 2015

MODEL SCALE: 1:7.3 (BASED ON 3FT)
 DWG SCALE: 1:1 @A3 OR AS SHOWN
 Copyright © J.A.M. DE WAAL PAKAPURA NZ
 SHEET: 04 OF 19 **A3** No: **CONWAY-04**



NOTES: THIS DESIGN OF THE 5" LOCO IS LOOSELY BASED ON THE FREELANCE NARROW GAUGE SADDLE TANK LOCOMOTIVE WHICH WAS DESIGNED AND BUILT BY MARTIN EVANS AS DESCRIBED IN THE MODEL ENGINEER MAGAZINE(S) STARTED ON THE 18 APRIL 1980.

TITLE: **COAL FIRED NARROW GAUGE STEAM LOCO FOR 5"/127mm GAUGE CALLED "CONWAY"**

DRAWING CONTENTS: **PARTS & ASSEMBLIES**

PROJECT No 07B-06-00

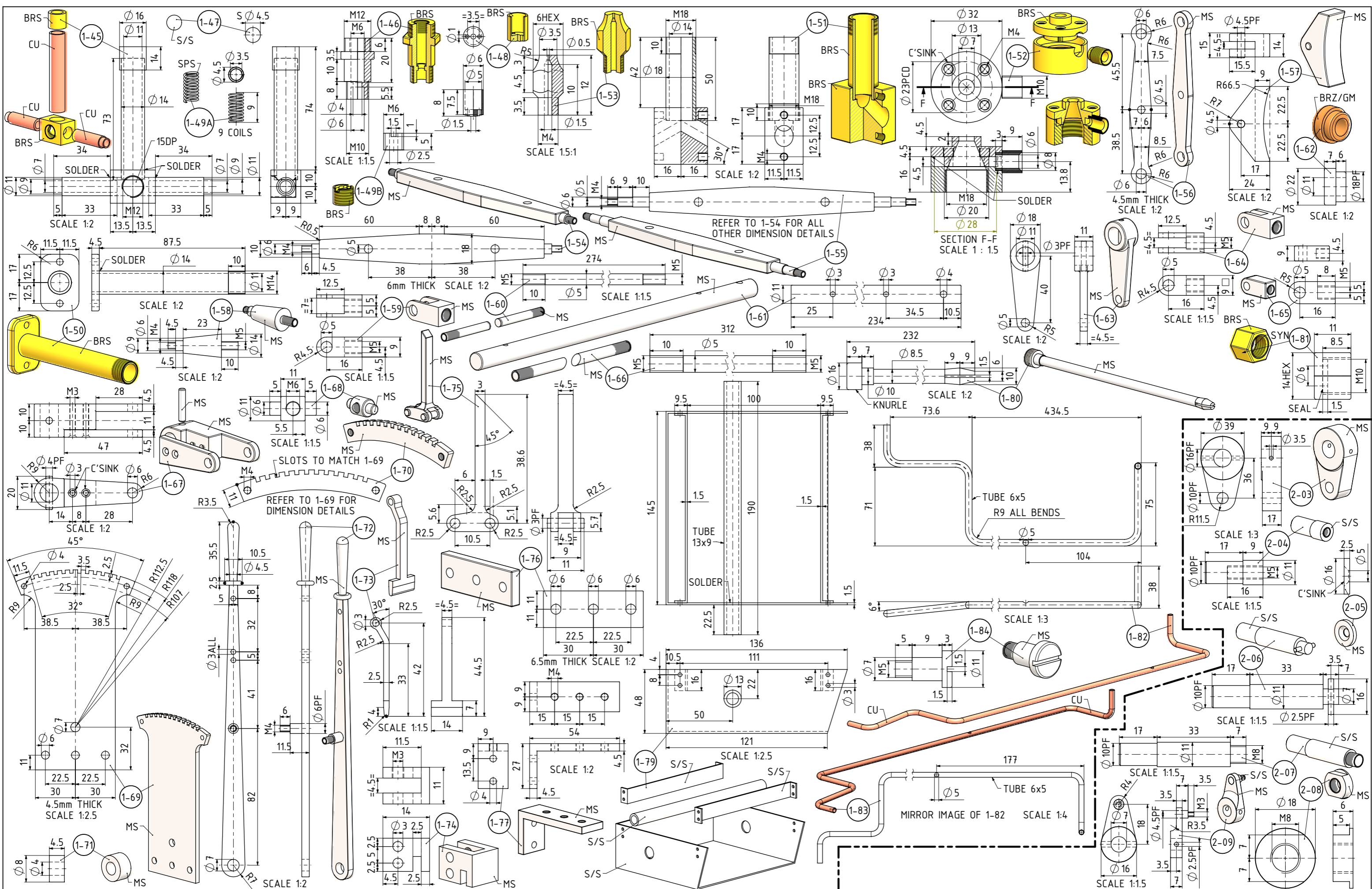
JDW DRAUGHTING SERVICES
 J.A.M. DE WAAL, 12 BRIGHTWELL STREET PAPA KURA 2110.
 NEW ZEALAND. PHONE: 0064 09 2988815. MOB: 0211791000
 E-MAIL: dewaal@xtra.co.nz

PROJECTION: **JDWDS**

DATE: **MARCH 2015**

MODEL SCALE: 1:7.3 (BASED ON 3FT)
 DWG SCALE: 1:1 @A3 OR AS SHOWN
 Copyright © J.A.M. DE WAAL PAPA KURA NZ

SHEET: 05 OF 19 **A3** No: **CONWAY-05**



NOTES: THIS DESIGN OF THE 5" LOCO IS LOOSELY BASED ON THE FREELANCE NARROW GAUGE SADDLE TANK LOCOMOTIVE WHICH WAS DESIGNED AND BUILT BY MARTIN EVANS AS DESCRIBED IN THE MODEL ENGINEER MAGAZINE(S) STARTED ON THE 18 APRIL 1980.

TITLE
COAL FIRED NARROW GAUGE STEAM LOCO
FOR 5"/127mm GAUGE CALLED "CONWAY"

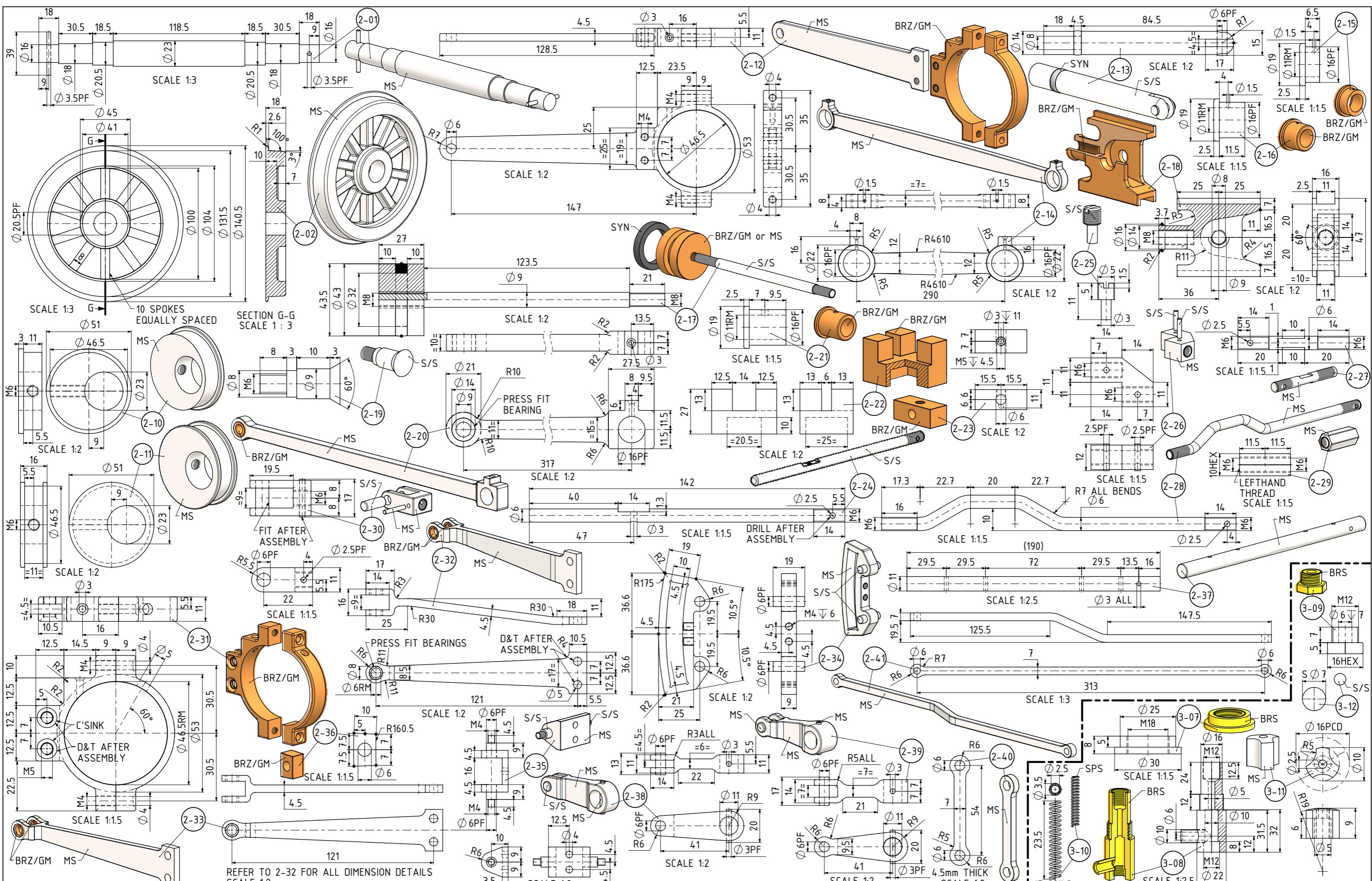
DRAWING CONTENTS
PARTS & ASSEMBLIES

PROJECT No 07B-06-00
 JDW DRAUGHTING SERVICES
 J.A.M. DE WAAL 12 BRIGHTWELL STREET PAPAURA 2110.
 NEW ZEALAND. PHONE: 0064 09 2988815. MOB: 0211791000
 E-MAIL: dewaal@extra.co.nz.

PROJECTION

 DATE MARCH 2015

MODEL SCALE: 1:7.3 (BASED ON 3FT)
 DWG SCALE: 1:1 @A3 OR AS SHOWN
 Copyright © J.A.M. DE WAAL PAPAURA NZ
 SHEET: 06 OF 19 A3 No: CONWAY-06



NOTES: THIS DESIGN OF THE 5" LOCO IS LOOSELY BASED ON THE FREELANCE NARROW GAUGE SADDLE TANK LOCOMOTIVE WHICH WAS DESIGNED AND BUILT BY MARTIN EVANS AS DESCRIBED IN THE MODEL ENGINEER MAGAZINE(S) STARTED ON THE 18 APRIL 1980.

TITLE: **COAL FIRED NARROW GAUGE STEAM LOCO FOR 5"/127mm GAUGE CALLED "CONWAY"**

DRAWING CONTENTS: **PARTS & ASSEMBLIES**

PROJECT No 07B-06-00

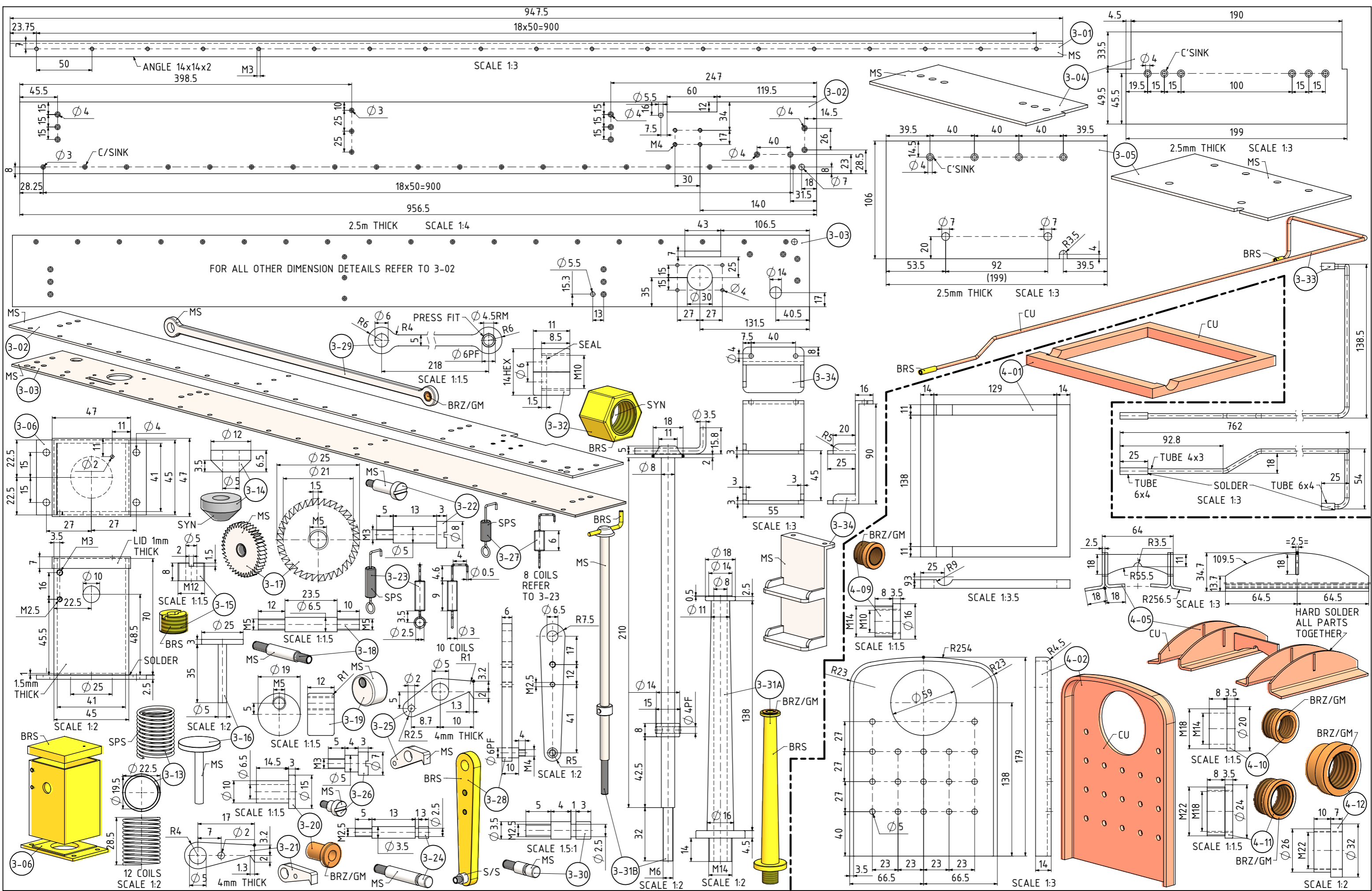
JDW DRAUGHTING SERVICES
 J.A.M. DE WAAL, 12 BRIGHTWELL STREET PAKAPURA 2110.
 NEW ZEALAND. PHONE: 0064 09 2988815. MOB: 0211791000
 E-MAIL: dewaal@xtra.co.nz

PROJECTION: **JDWDS**

DATE: **MARCH 2015**

MODEL SCALE: 1:7.3 (BASED ON 3FT)
 DWG SCALE: 1:1 @A3 OR AS SHOWN
 Copyright © J.A.M. DE WAAL PAKAPURA NZ

SHEET: 07 OF 19 **A3** No: **CONWAY-07**



NOTES: THIS DESIGN OF THE 5" LOCO IS LOOSELY BASED ON THE FREELANCE NARROW GAUGE SADDLE TANK LOCOMOTIVE WHICH WAS DESIGNED AND BUILT BY MARTIN EVANS AS DESCRIBED IN THE MODEL ENGINEER MAGAZINE(S) STARTED ON THE 18 APRIL 1980.

TITLE: **COAL FIRED NARROW GAUGE STEAM LOCO FOR 5"/127mm GAUGE CALLED "CONWAY"**

DRAWING CONTENTS: **PARTS & ASSEMBLIES**

PROJECT No 07B-06-00

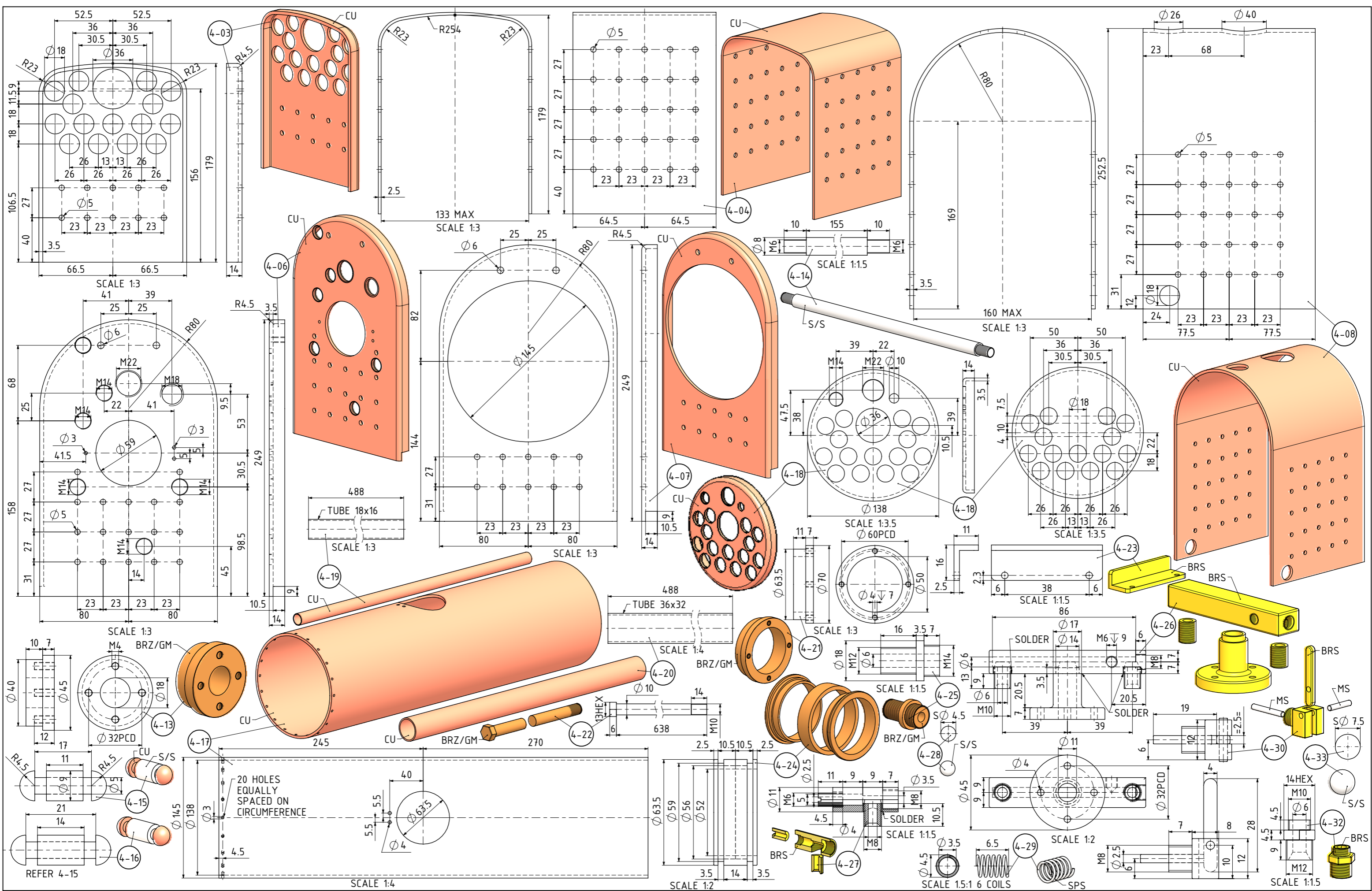
JDW DRAUGHTING SERVICES
 J.A.M. DE WAAL, 12 BRIGHTWELL STREET PAKAPURA 2110.
 NEW ZEALAND. PHONE: 0664 09 2988815. MOB: 0211791000
 E-MAIL: dewaal@xtra.co.nz

PROJECTION: **JDWDS**

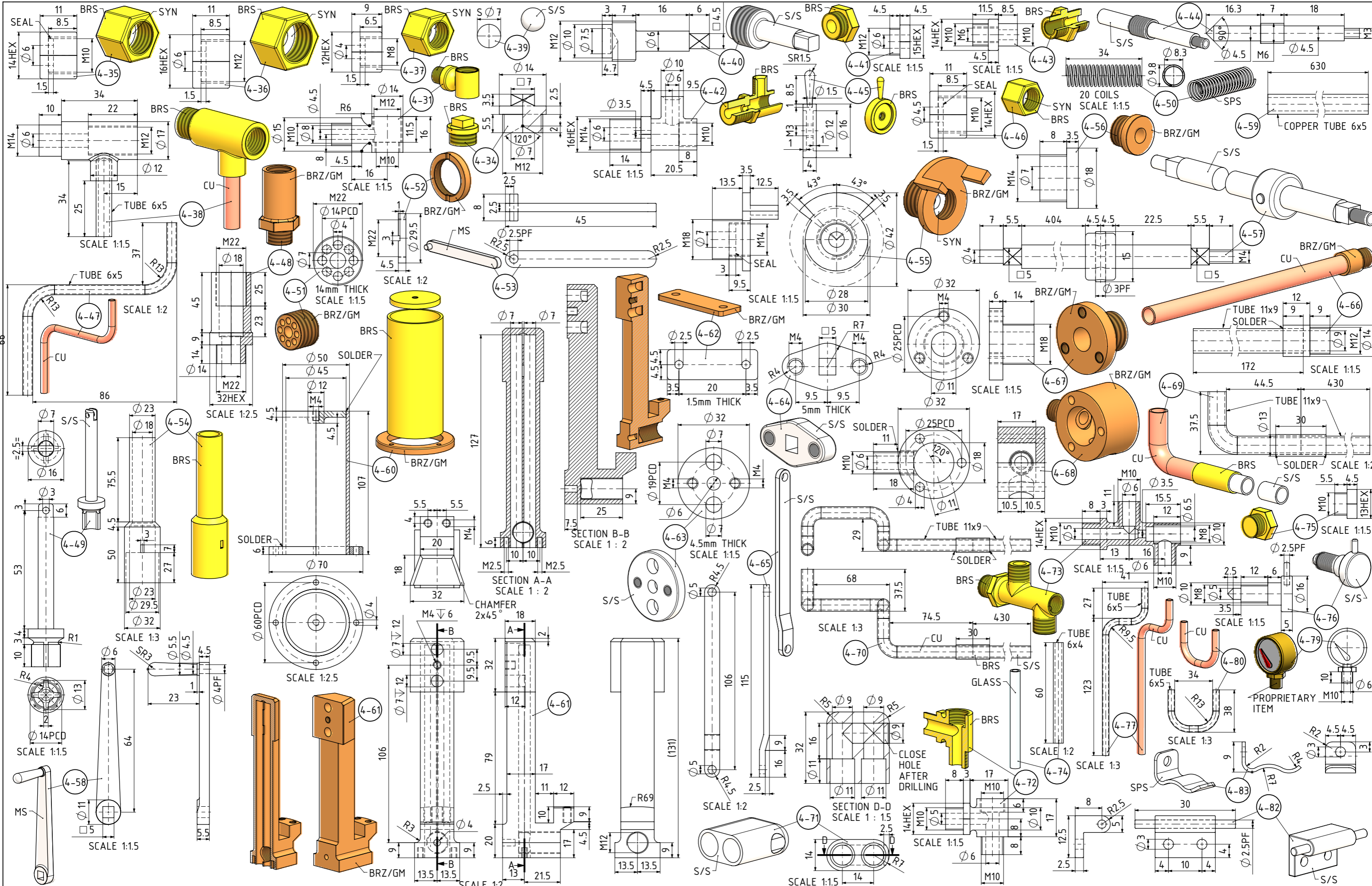
DATE: **MARCH 2015**

MODEL SCALE: 1:7.3 (BASED ON 3FT)
 DWG SCALE: 1:1 @A3 OR AS SHOWN
 Copyright © J.A.M. DE WAAL PAKAPURA NZ

SHEET: 08 OF 19 **A3** No: **CONWAY-08**



NOTES: THIS DESIGN OF THE 5" LOCO IS LOOSELY BASED ON THE FREELANCE NARROW GAUGE SADDLE TANK LOCOMOTIVE WHICH WAS DESIGNED AND BUILT BY MARTIN EVANS AS DESCRIBED IN THE MODEL ENGINEER MAGAZINE(S) STARTED ON THE 18 APRIL 1980.		PROJECT No 07B-06-00	
TITLE COAL FIRED NARROW GAUGE STEAM LOCO FOR 5"/127mm GAUGE CALLED "CONWAY"		DRAWING CONTENTS PARTS & ASSEMBLIES	
J.D.W. DRAUGHTING SERVICES J.A.M. DE WAAL, 12 BRIGHTWELL STREET PAPAOKURA 2110. NEW ZEALAND. PHONE: 0064 09 2988815. MOB: 0211791000 E-MAIL: dewaal@xtra.co.nz.		PROJECTION JDWDS DATE: MARCH 2015 SHEET: 09 OF 19	
MODEL SCALE: 1:7.3 (BASED ON 3FT) DWG SCALE: 1:1 @A3 OR AS SHOWN Copyright © J.A.M. DE WAAL PAPAOKURA NZ		SCALE: 1:1.5 A3 No: CONWAY-09	



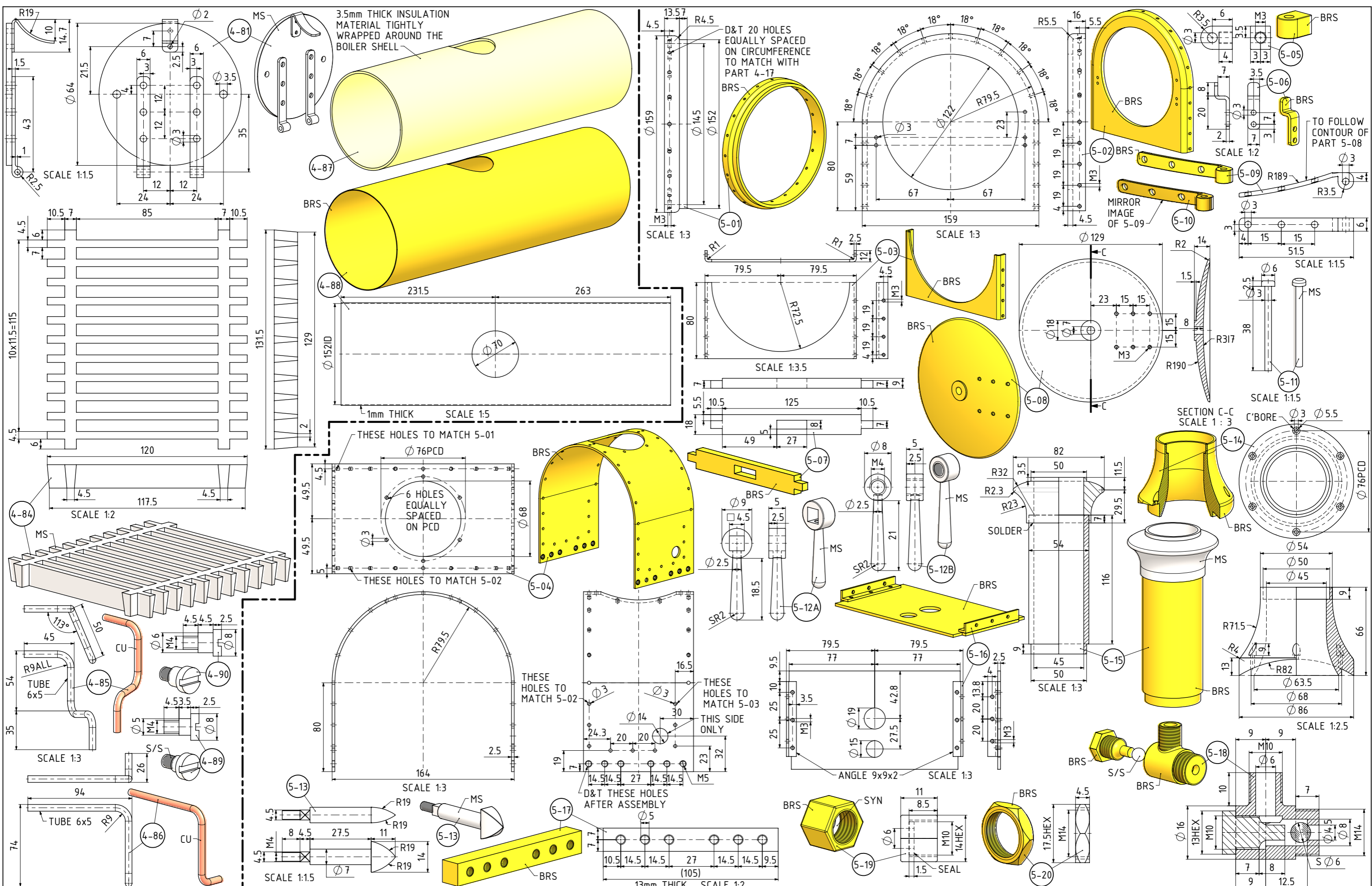
NOTES: THIS DESIGN OF THE 5" LOCO IS LOOSELY BASED ON THE FREELANCE NARROW GAUGE SADDLE TANK LOCOMOTIVE WHICH WAS DESIGNED AND BUILT BY MARTIN EVANS AS DESCRIBED IN THE MODEL ENGINEER MAGAZINE(S) STARTED ON THE 18 APRIL 1980.

TITLE
**COAL FIRED NARROW GAUGE STEAM LOCO
 FOR 5"/127mm GAUGE CALLED "CONWAY"**

DRAWING CONTENTS
PARTS & ASSEMBLIES

PROJECT No 07B-06-00
 JDW DRAUGHTING SERVICES
 J.A.M. DE WAAL, 12 BRIGHTWELL STREET PAPAURA 2110.
 NEW ZEALAND. PHONE: 0064 09 2988815. MOB: 0211791000
 E-MAIL: dewaal@xtra.co.nz.

PROJECTION
 DATE MARCH 2015
 SHEET: 10 OF 19
 MODEL SCALE: 1:7.3 (BASED ON 3FT)
 DWG SCALE: 1:1 @A3 OR AS SHOWN
 Copyright © J.A.M. DE WAAL PAPAURA NZ
 A3 No: CONWAY-10



NOTES: THIS DESIGN OF THE 5" LOCO IS LOOSELY BASED ON THE FREELANCE NARROW GAUGE SADDLE TANK LOCOMOTIVE WHICH WAS DESIGNED AND BUILT BY MARTIN EVANS AS DESCRIBED IN THE MODEL ENGINEER MAGAZINE(S) STARTED ON THE 18 APRIL 1980.

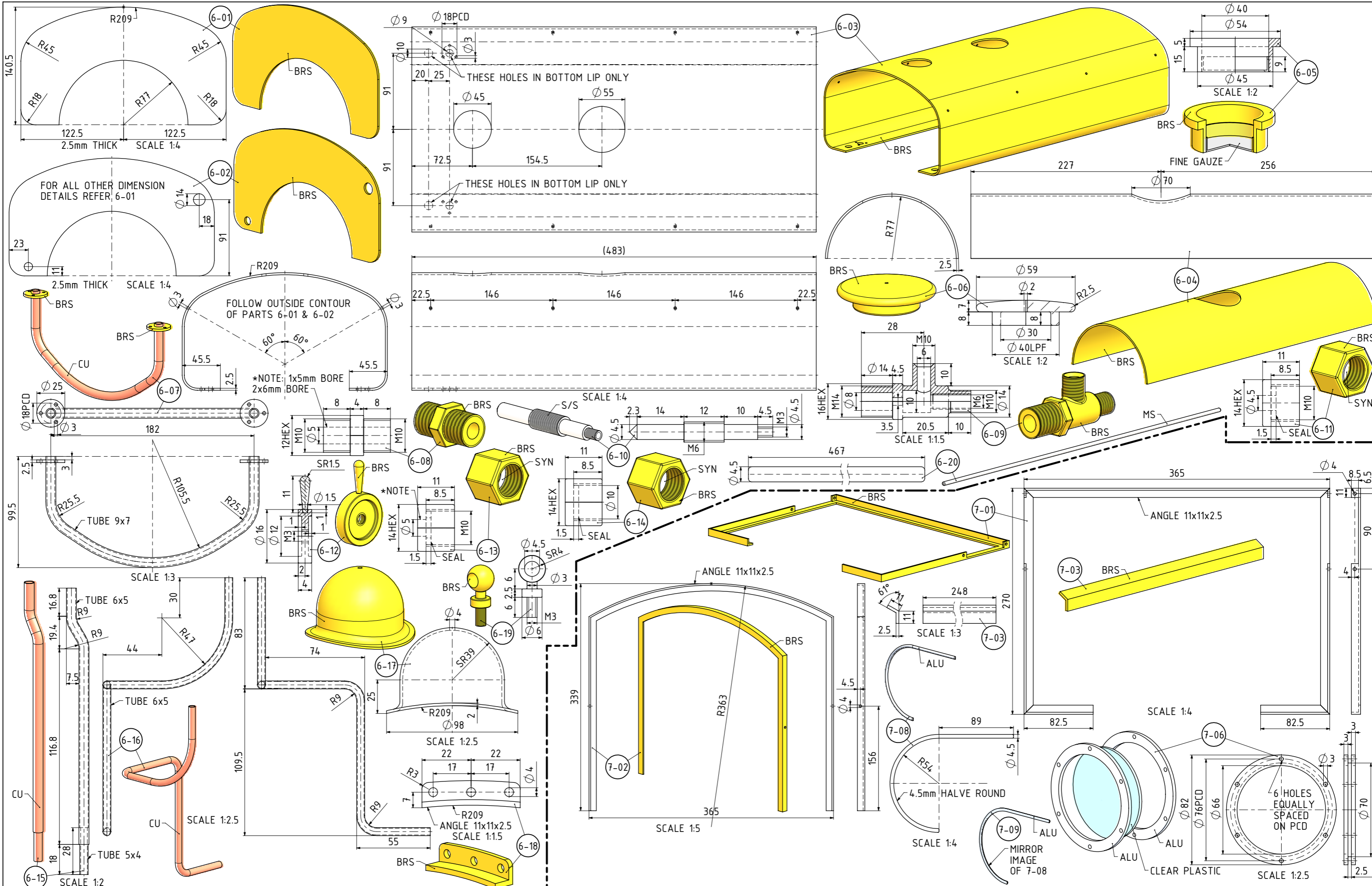
TITLE
**COAL FIRED NARROW GAUGE STEAM LOCO
 FOR 5"/127mm GAUGE CALLED "CONWAY"**

DRAWING CONTENTS
PARTS & ASSEMBLIES

PROJECT No 07B-06-00
 JDW DRAUGHTING SERVICES
 J.A.M. DE WAAL, 12 BRIGHTWELL STREET PAKAPURA 2110.
 NEW ZEALAND. PHONE: 0064 09 2988815. MOB: 0211791000
 E-MAIL: dewaal@xtra.co.nz.

PROJECTION
JDWDS
 DATE MARCH 2015

MODEL SCALE: 1:7.3 (BASED ON 3FT)
 DWG SCALE: 1:1 @A3 OR AS SHOWN
 Copyright © J.A.M. DE WAAL PAKAPURA NZ
 SHEET: 11 OF 19 **A3 No: CONWAY-11**



NOTES: THIS DESIGN OF THE 5" LOCO IS LOOSELY BASED ON THE FREELANCE NARROW GAUGE SADDLE TANK LOCOMOTIVE WHICH WAS DESIGNED AND BUILT BY MARTIN EVANS AS DESCRIBED IN THE MODEL ENGINEER MAGAZINE(S) STARTED ON THE 18 APRIL 1980.

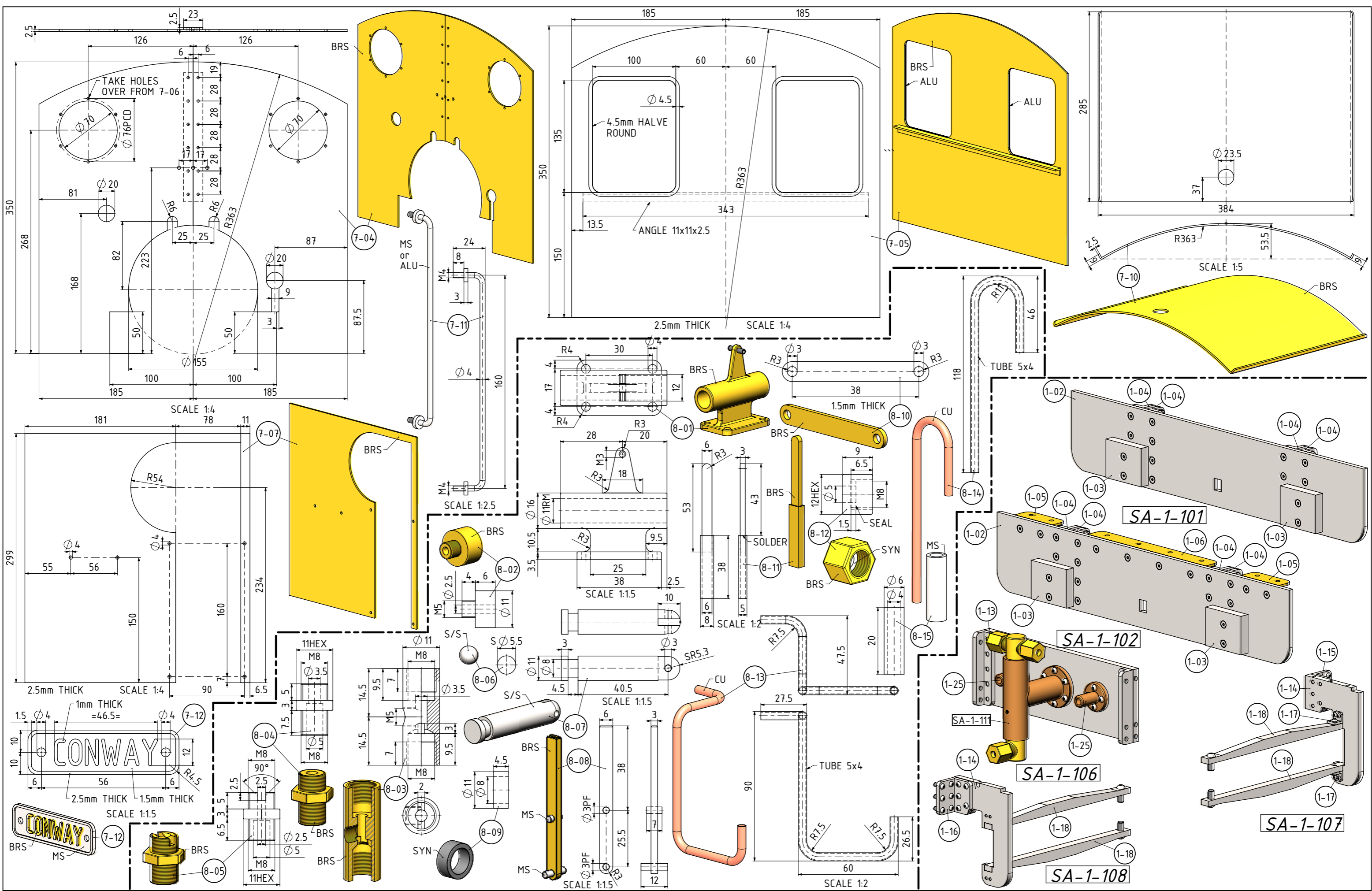
TITLE
COAL FIRED NARROW GAUGE STEAM LOCO
FOR 5"/127mm GAUGE CALLED "CONWAY"
 SCALE 1:3

DRAWING CONTENTS
PARTS & ASSEMBLIES

PROJECT No 07B-06-00
JDW DRAUGHTING SERVICES
 J.A.M. DE WAAL, 12 BRIGHTWELL STREET PAPAOKURA 2110.
 NEW ZEALAND. PHONE: 0664 09 2988815. MOB: 0211791000
 E-MAIL: dewaal@xtra.co.nz.

PROJECTION
JDWDS
 DATE MARCH 2015

MODEL SCALE: 1:7.3 (BASED ON 3FT)
 DWG SCALE: 1:1 @A3 OR AS SHOWN
 Copyright © J.A.M. DE WAAL PAPAOKURA NZ
 SHEET: 12 OF 19 **A3** No: CONWAY-12



NOTES: THIS DESIGN OF THE 5" LOCO IS LOOSELY BASED ON THE FREELANCE NARROW GAUGE SADDLE TANK LOCOMOTIVE WHICH WAS DESIGNED AND BUILT BY MARTIN EVANS AS DESCRIBED IN THE MODEL ENGINEER MAGAZINE(S) STARTED ON THE 18 APRIL 1980.
 TITLE: COAL FIRED NARROW GAUGE STEAM LOCO FOR 5"/127mm GAUGE CALLED "CONWAY"
 DRAWING CONTENTS: PARTS & ASSEMBLIES
 PROJECT No 07B-06-00
 JDW DRAUGHTING SERVICES
 J.A.M. DE WAAL, 12 BRIGHTWELL STREET PAPA KURA 2110, NEW ZEALAND. PHONE: 0064 09 2988815. MOB: 0211791000
 E-MAIL: dewaal@xtra.co.nz
 PROJECTION: 1st Angle
 DATE: MARCH 2015
 SHEET: 13 OF 19
 MODEL SCALE: 1:7.3 (BASED ON 3FT)
 DWG SCALE: 1:1 @A3 OR AS SHOWN
 Copyright © J.A.M. DE WAAL PAPA KURA NZ
 A3 No: CONWAY-13