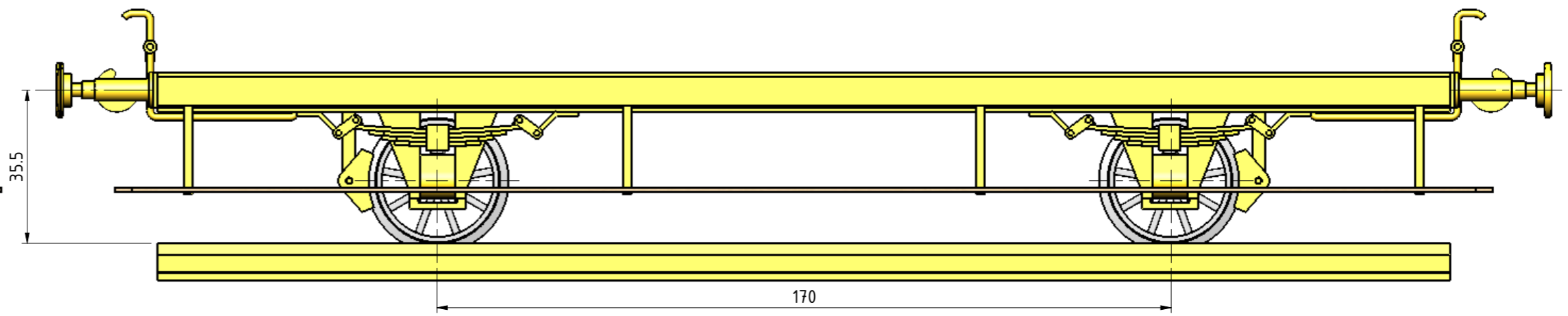
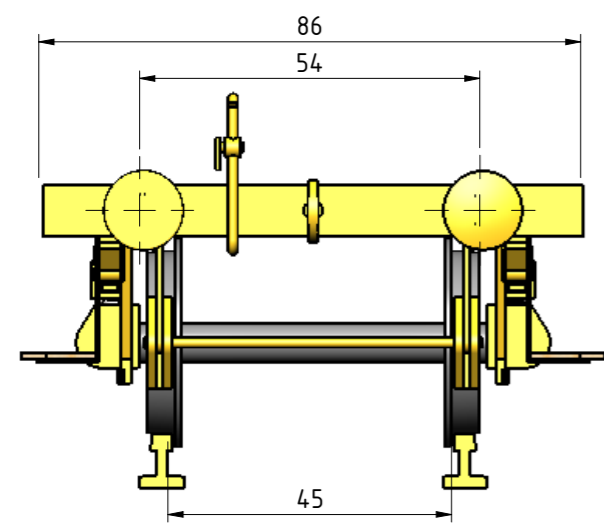
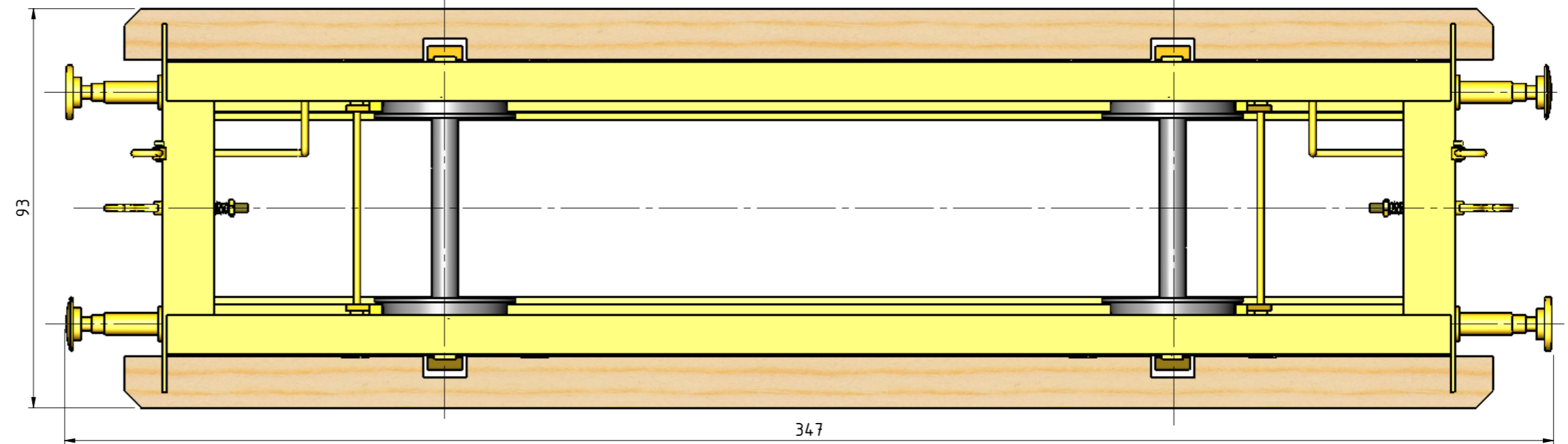
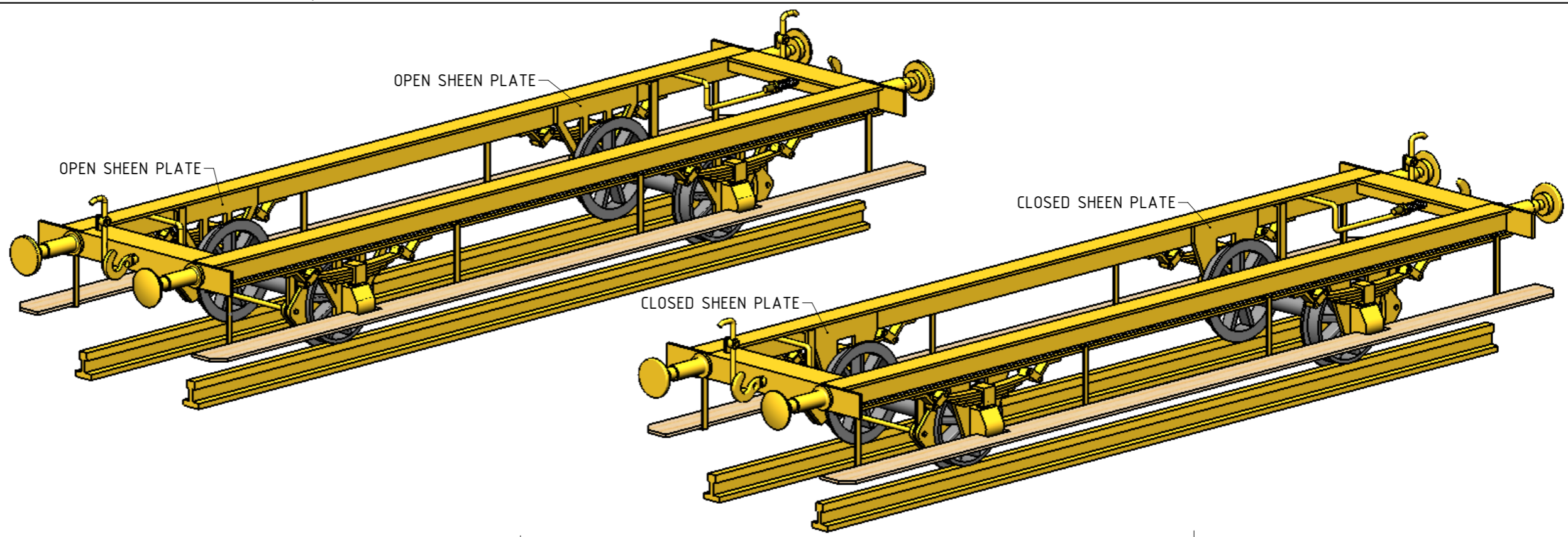


QTY.	PART NUMBER
2	NSWUF-01-SIDE BEAM
2	NSWUF-02-BUFFER BEAM
2	NSWUF-04-RUNNING BOARD
4	NSWUF-05-CLOSED SHEEN PLATE
4	NSWUF-07-AXLE BOX
4	NSWUF-08- LEAF SPRING
4	NSWUF-09-AXLE BLOCK COIL SPRING
8	NSWUF-10-RUNNING BOARD BRACKET
8	NSWUF-11-LEAF SPRING BRACKET
8	NSWUF-12-LEAF SPRING LINK
4	NSWUF-13-AXLE BLOCK RETAINER
4	NSWUF-14-BUFFER HOUSING
2	NSWUF-15-BUFFER TYPE-1
2	NSWUF-16-BUFFER TYPE-2
2	NSWUF-17-PULLING HOOK
2	NSWUF-18-PUSHER BEAM
2	NSWUF-19-BUFFER COIL SPRING
2	NSWUF-20-BRAKE SHOE BRACET
4	NSWUF-21-BRAKE SHOE
1	NSWUF-22A-AIR BRAKE PIPING
1	NSWUF-22B-AIR BRAKE PIPING
1	NSWUF-23-LGB RAIL
4	NSWUF-24-M2 NUT
4	NSWUF-25-M3 NUT
2	NSWUF-26-LGB WHEEL SET

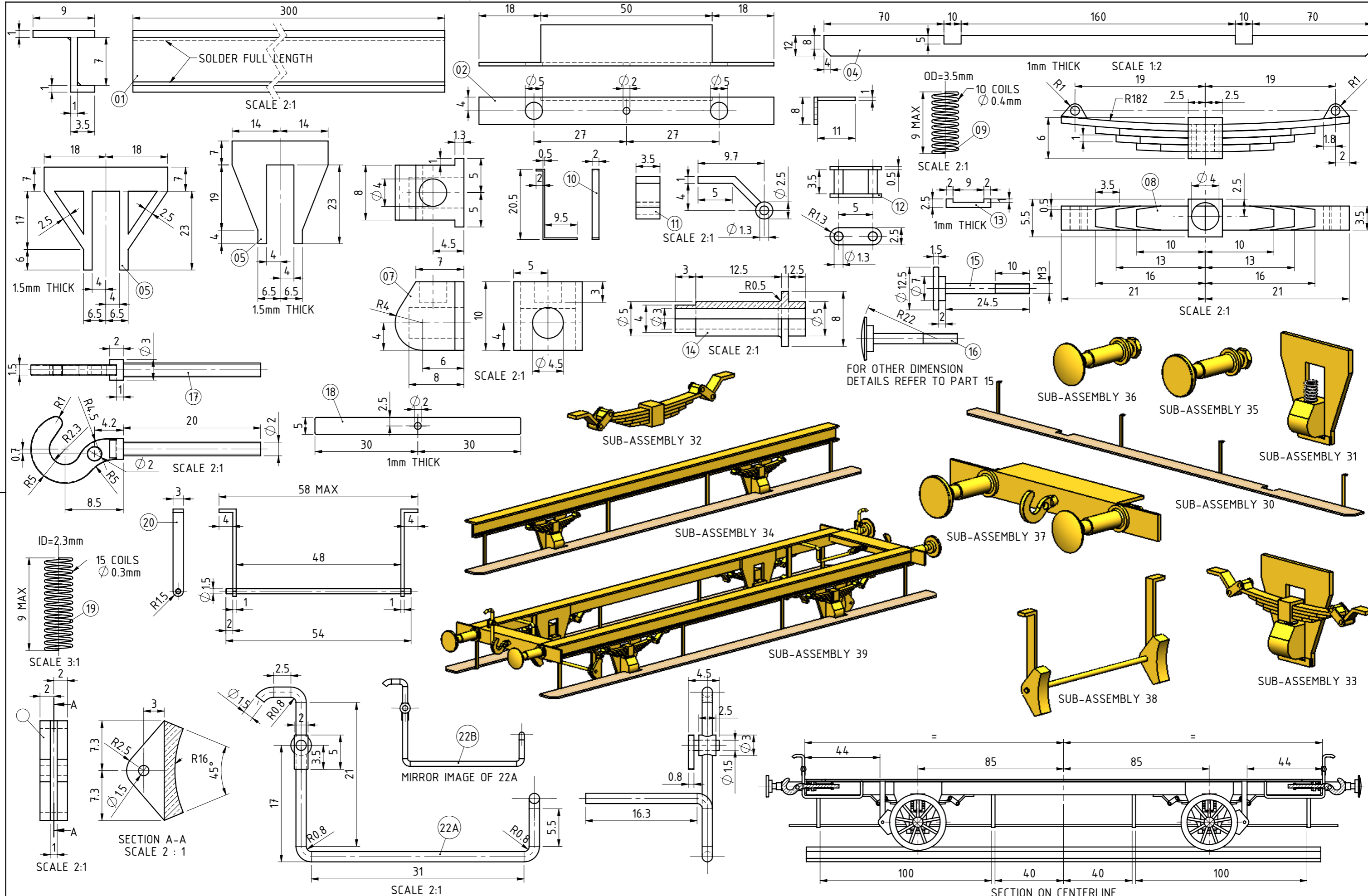


NOTES: THIS DRAWING IS BASED ON AN ARTICLE WHICH WAS WRITTEN BY Mr A.M. OUDENS, LEEUWARDEN IN THE MODELBOUWER OF APRIL 1989

A3	TITLE	UNDER FRAME OF DUTCH RAILWAY GOODS WAGON SCALE 1:32
		TRACK GAUGE 45mm GENERAL ARRANGEMENT

JDW DRAUGHTING SERVICES 12 BRIGHTWELL STREET PAPAKURA NEW ZEALAND TEL/FAX 0064-09-2988815 E-MAIL:dewaal@xtra.co.nz	DRAWN BY J.A.M. DE WAAL	DATE JULY 2010
ISSUED FOR CONSTRUCTION		
DESCRIPTION		

PROJECT No.	01-04-07-02-00
DRAWING NUMBER	NSWUF 01
SHT of SHT	01 of 02
SCALE	NTS or AS SHOWN
PROJECTION	
REV	A



NOTES: THIS DRAWING IS BASED ON AN ARTICLE WHICH WAS WRITTEN BY Mr A.M. OUDENS, LEEUWARDEN IN THE MODELBOUWER OF APRIL 1989

TITLE	<b>UNDER FRAME OF DUTCH RAILWAY GOODS WAGON SCALE 1:32</b>	
A3	<b>TRACK GAUGE 45mm PARTS</b>	

DRAWN BY	J.A.M. DE WAAL	PROJECT No.	01-04-07-02-00
DATE	JULY 2010	DRAWING NUMBER	NSWUF 02
SCALE	1:1 @ A3 or AS SHOWN	SHT OF SHT	02 of 02
REV		REV	A

IF NOT STATED ALL CHAMFERS AND FILLETS 0.25mm

DO NOT SCALE OF DRAWING

REMOVE ALL BURS AND SHARP EDGES