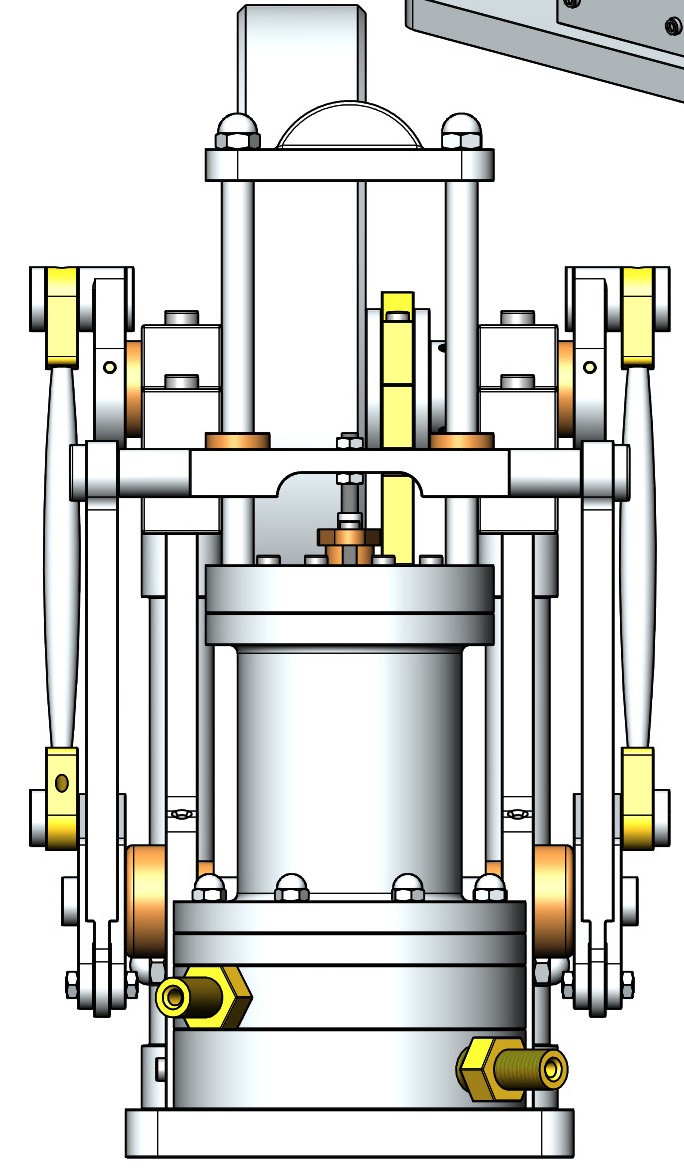
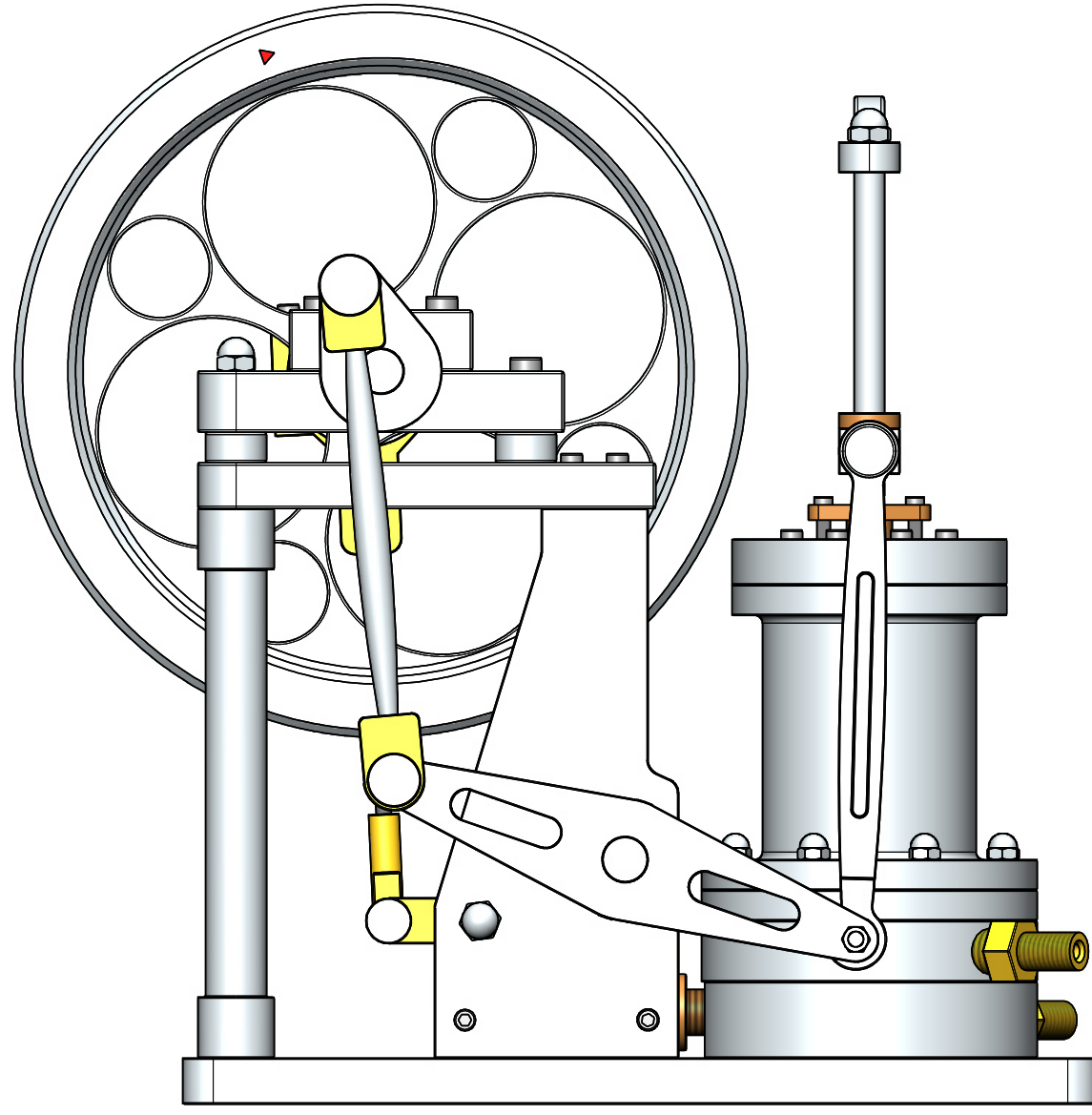
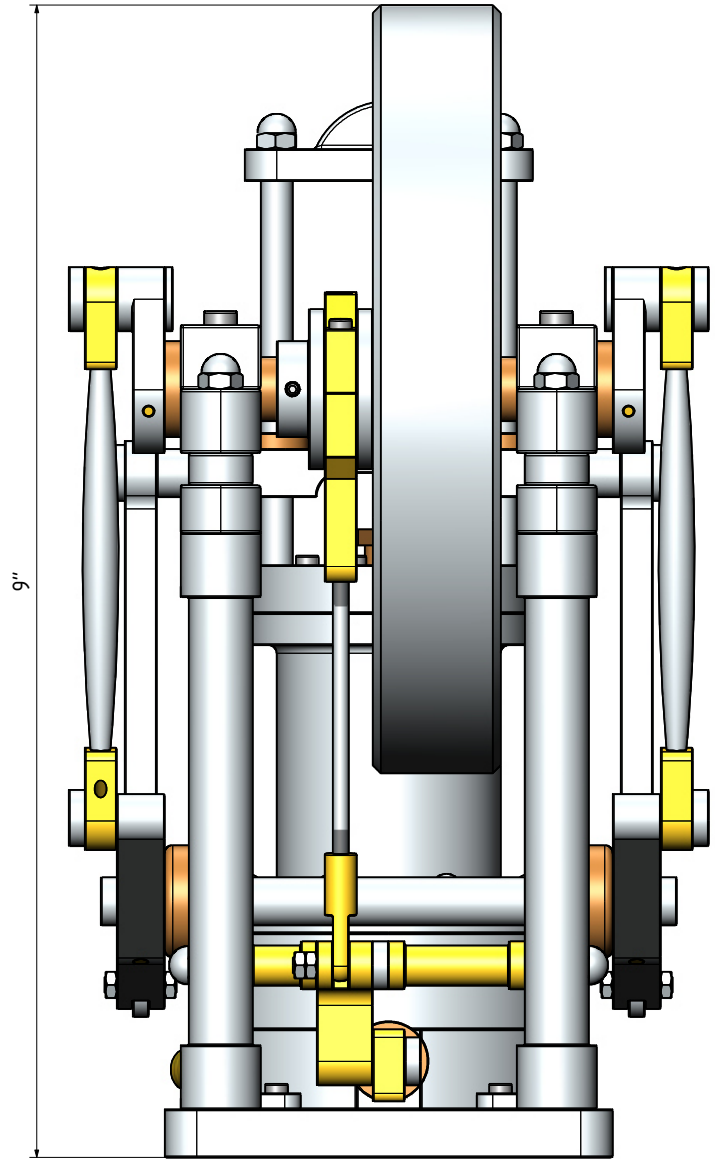
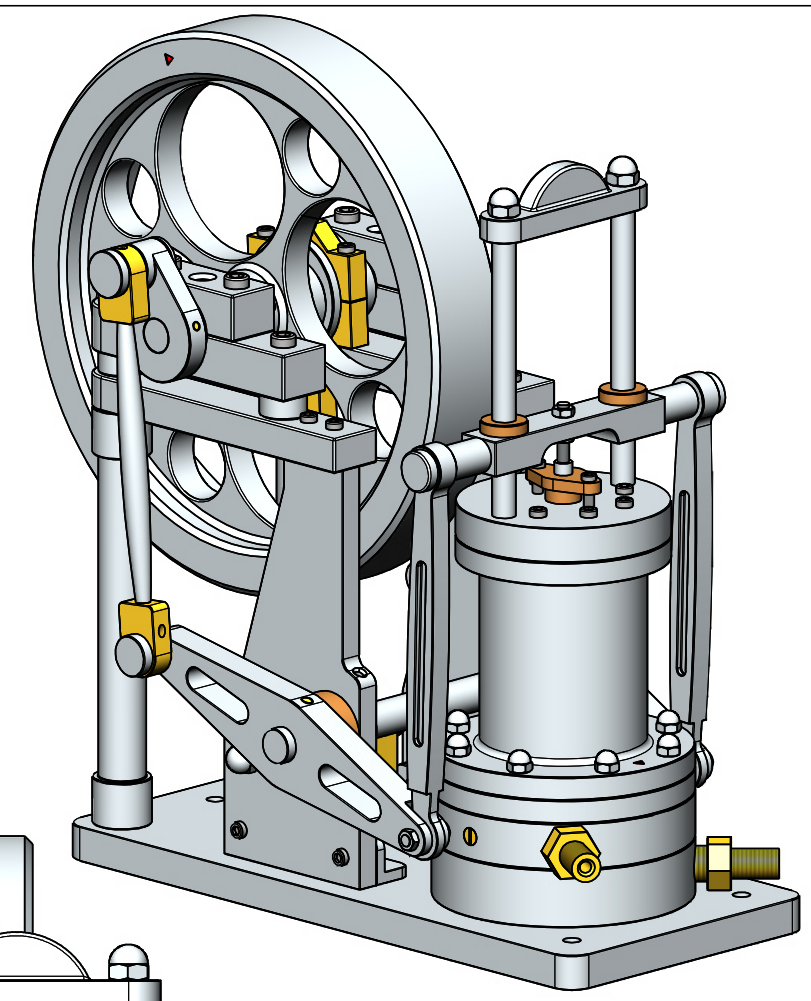
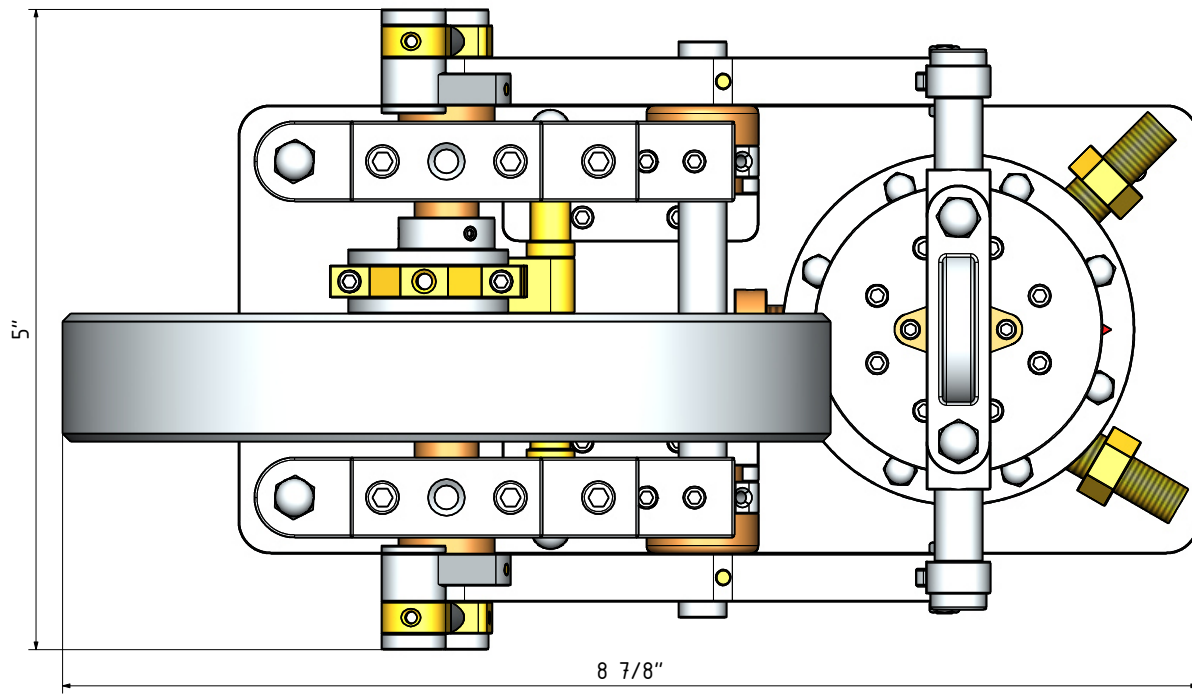


QTY.	PART NUMBER
1	09E-40-00-1-01-BASE PLATE
2	09E-40-00-1-02-SUPPORT COLUMN
1	09E-40-00-1-03-SUPPORT FRAME
1	09E-40-00-1-03-SUPPORT FRAME
1	09E-40-00-1-04-BELL CRANK SHAFT+SPACERS
1	09E-40-00-1-05-CRANK BEARING PLATFORM+BEARING
1	09E-40-00-1-05-CRANK BEARING PLATFORM+BEARING
1	09E-40-00-1-06-CYLINDER+VALVE CHEST
2	09E-40-00-1-07-INLET-EXHAUST NIPPLE
1	09E-40-00-1-08-CYLINDER TOP COVER
1	09E-40-00-2-01-CRANK SHAFT
1	09E-40-00-2-02-SIDE BEAM
2	09E-40-00-2-03-SECONDARY CON-ROD
1	09E-40-00-2-04-PISTON+CROSSHEAD
2	09E-40-00-2-05-PRIMARY CON-ROD
1	09E-40-00-2-06-ECCENTRIC SHEAVE
1	09E-40-00-2-07-BELL CRANK
1	09E-40-00-2-08-ECCENTRIC STRAP
1	09E-40-00-2-09-SLIDE VALVE+ROD
6	09E-40-00-x2BA DOME NUT
4	09E-40-00-x2BAx0.75 A-K CYL HEAD SCREW
2	09E-40-00-x2BAx1.12 A-K CYL HEAD SCREW
8	09E-40-00-x4BA DOME NUT
8	09E-40-00-x4BA NUT
8	09E-40-00-x4BAx2.0 THREADED ROD
9	09E-40-00-x5BA NUT
4	09E-40-00-x5BAx0.38 A-K CYL HEAD SCREW
2	09E-40-00-x5BAx0.25 A-K GRUB SCREW
4	09E-40-00-x5BAx0.5 A-K CYL HEAD SCREW
4	09E-40-00-x5BAx0.62 A-K CYL HEAD SCREW
8	09E-40-00-x5BAx0.75 A-K CYL HEAD SCREW
2	09E-40-00-x5BAx1.0 A-K CYL HEAD SCREW
3	09E-40-00-x6BAx0.18 A-K GRUB SCREW
8	09E-40-00-x6BAx0.25 A-K CYL HEAD SCREW
2	09E-40-00-x6BAx0.5 A-K CYL HEAD SCREW



NOTES: THE ORIGINAL DESIGN DRAWINGS WERE BY BOB MIDDLETON, MUNDELEY, NORFOLK, UK. A SET OF 17 A4 DRAWINGS WERE PUBLISHED ON THE "MODELENGINEERINGWEBSITE" WEBSITE

TITLE  
**1-CYLINDER DOUBLE SIDED BEAM STEAM ENGINE CALLED "TRUNCH TROJAN" (IMPERIAL)**

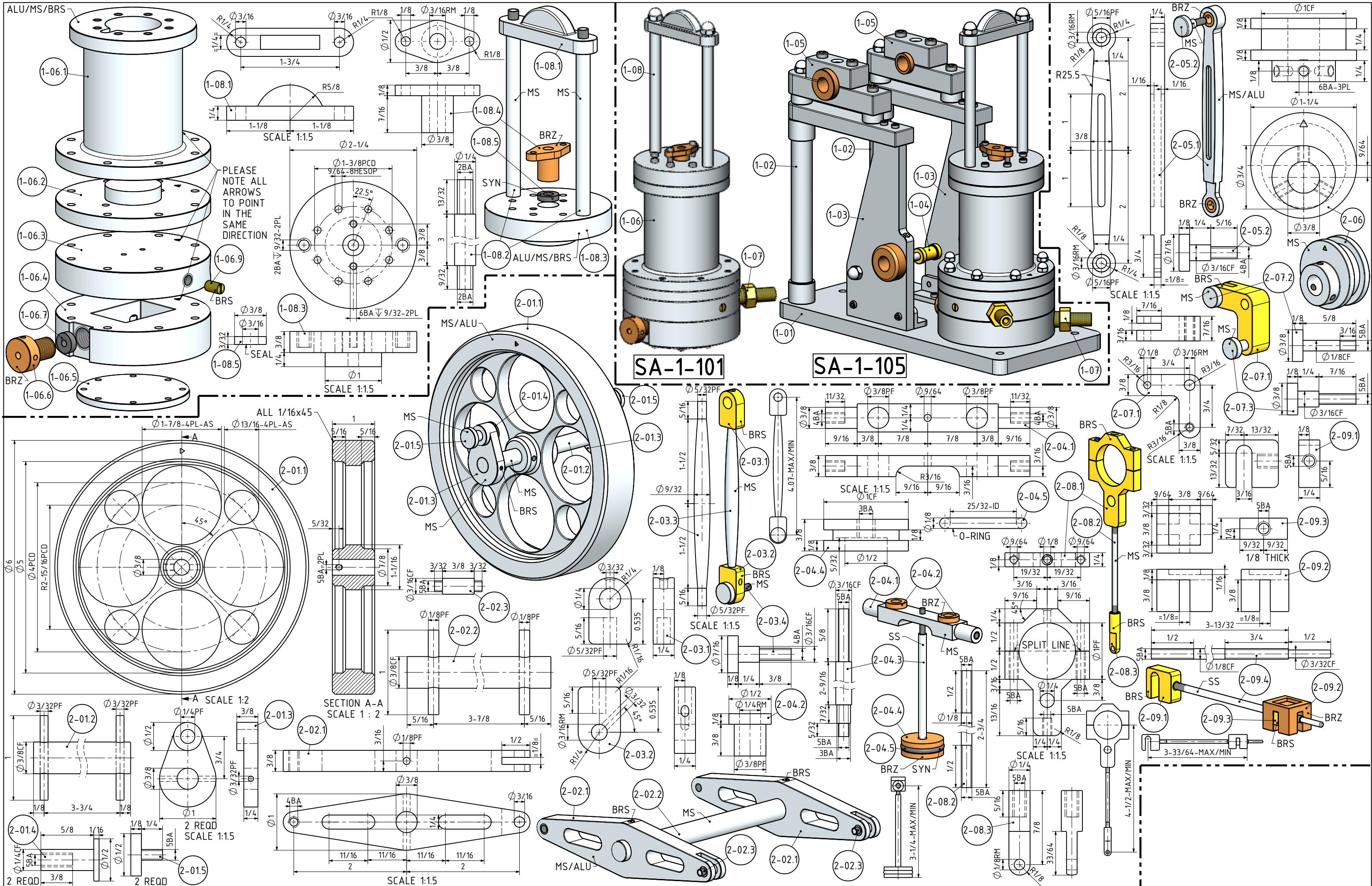
DRAWING CONTENTS  
**GENERAL ARRANGEMENT, ISOMETRIC VIEW, BILL OF MATERIALS**

PROJECT No 09E-40-00  
 JDW DRAUGHTING SERVICES  
 J.A.M. DE WAAL, 12 BRIGHTWELL STREET PAPAURA  
 2110, NEW ZEALAND. PHONE: 0064 09 2988815. MOB: 0211791000 E-MAIL: dewaal@xtra.co.nz.

PROJECTION	<b>JDWDS</b>	MODEL SCALE: 1:1
DATE	MARCH 2020	DWG SCALE: 1:1 @A3 OR AS SHOWN
SHEET: 01 OF 04		Copyright © J.A.M. DE WAAL PAPAURA NZ
A3		No: 09E-40-00-SHT01

**DRAWINGS ARE FOR PERSONAL USE ONLY NOT FOR COMMERCIAL PURPOSES**





NOTES: THE ORIGINAL DESIGN DRAWINGS WERE BY BOB MIDDLETON, MUNDELEY, NORFOLK, UK. A SET OF 17 A4 DRAWINGS WERE PUBLISHED ON THE "MODELENGINEERINGWEBSITE" WEBSITE

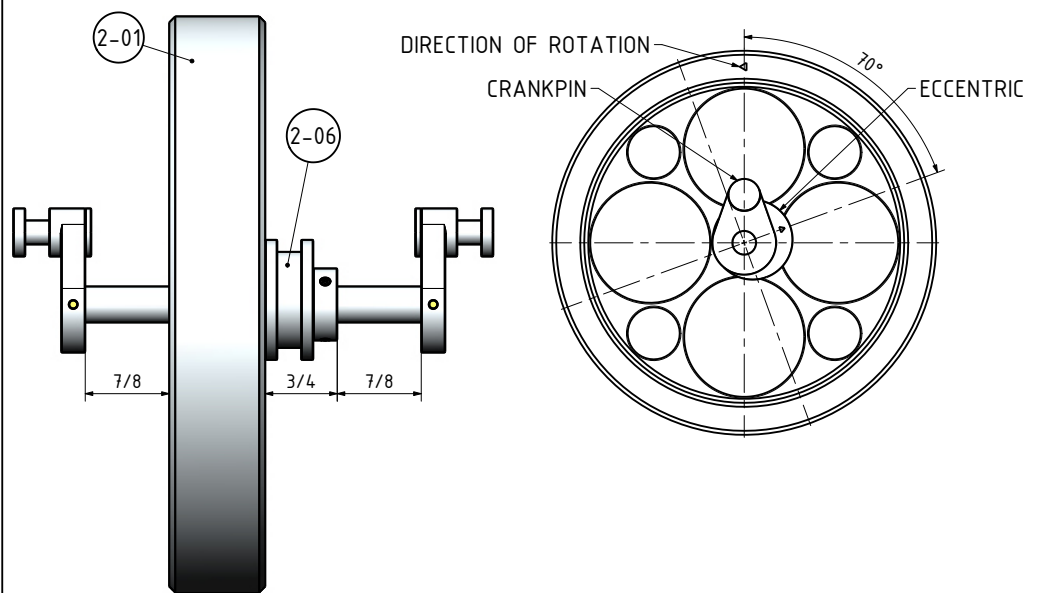
TITLE  
**1-CYLINDER DOUBLE SIDED BEAM STEAM ENGINE CALLED "TRUNCH TROJAN" (IMPERIAL)**

DRAWING CONTENTS  
**PARTS AND ASSEMBLIES**

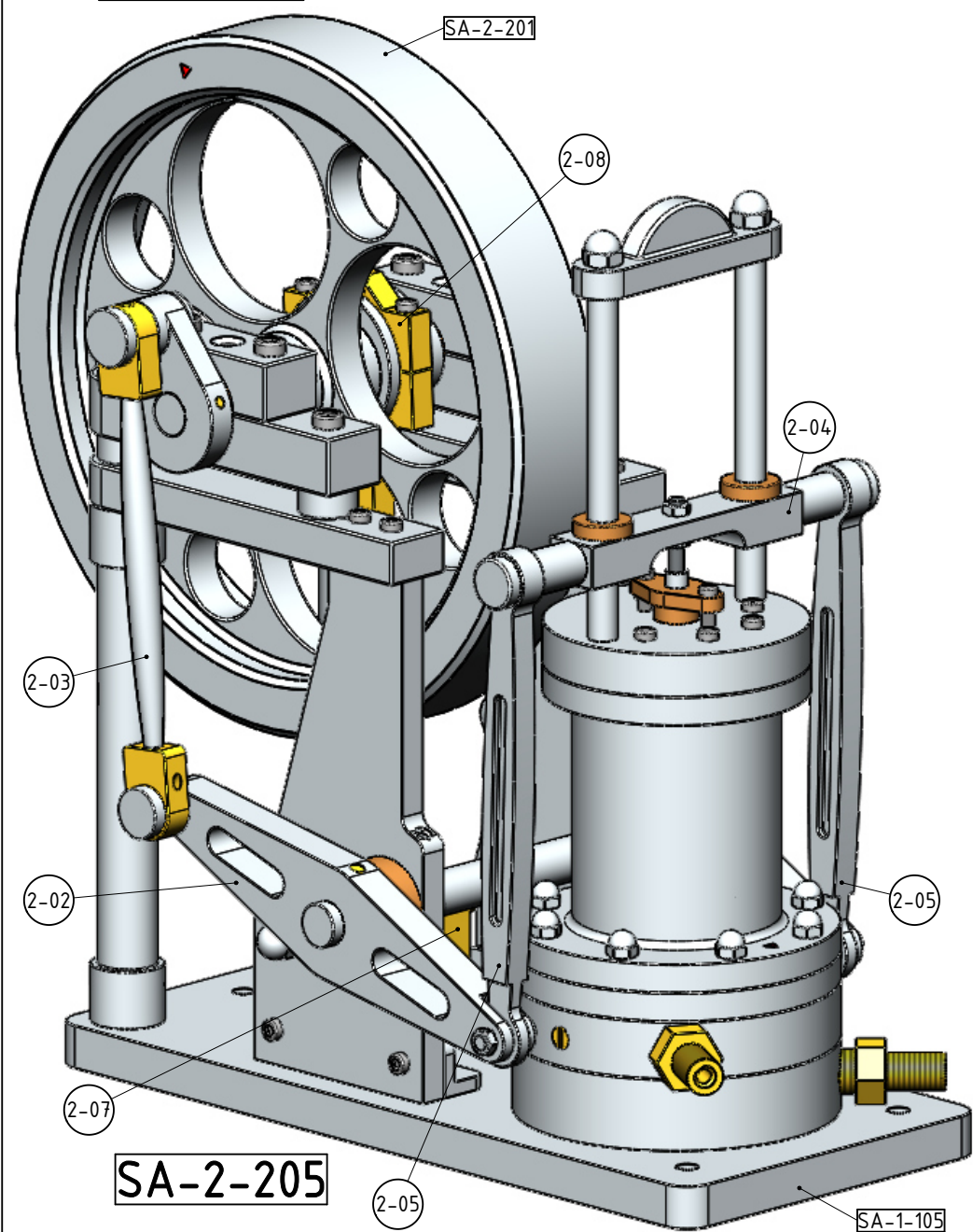
PROJECT No 09E-40-00  
 JDW DRAUGHTING SERVICES  
 J.A.M. DE WAAL, 12 BRIGHTWELL STREET PAPAOKURA  
 2110, NEW ZEALAND. PHONE: 0064 09 2988815. MOB: 0211791000 E-MAIL: dewaal@xtra.co.nz.

PROJECTION  
**JDWDS** MODEL SCALE: 1:1  
 DWG SCALE: 1:1 @A3 OR AS SHOWN  
 DATE MARCH 2020 Copyright © J.A.M. DE WAAL PAPAOKURA NZ  
 SHEET: 03 OF 04 **A3** No: 09E-40-00-SHT03

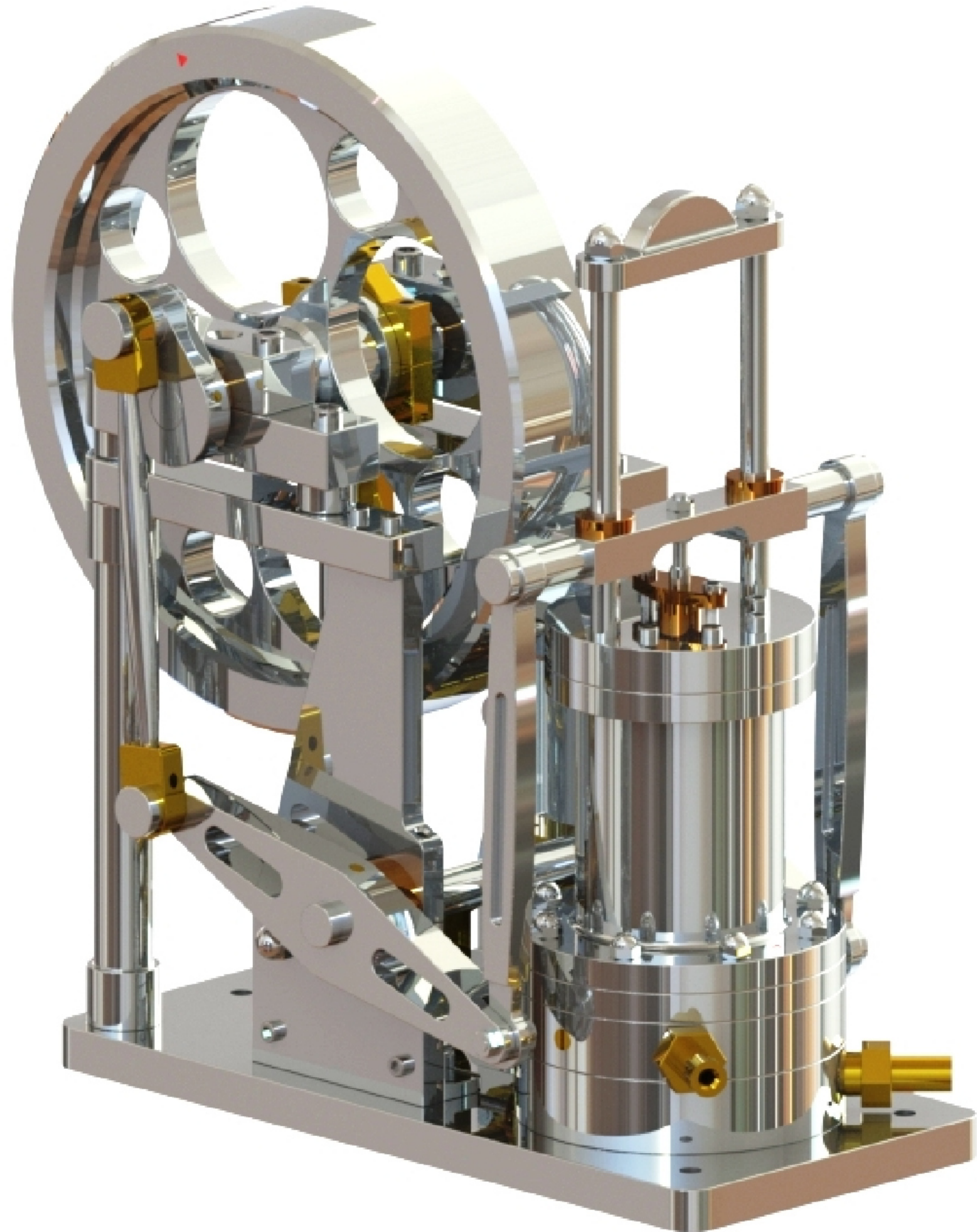
**DRAWINGS ARE FOR PERSONAL USE ONLY NOT FOR COMMERCIAL PURPOSES**



SA-2-201



SA-2-205



NOTES: THE ORIGINAL DESIGN DRAWINGS WERE BY BOB MIDDLETON, MUNDELEY, NORFOLK, UK. A SET OF 17 A4 DRAWINGS WERE PUBLISHED ON THE "MODELENGINEERINGWEBSITE" WEBSITE

TITLE  
**1-CYLINDER DOUBLE SIDED BEAM STEAM ENGINE CALLED "TRUNCH TROJAN" (IMPERIAL)**

DRAWING CONTENTS  
**PARTS AND ASSEMBLIES, RENDERED PICTURE**

PROJECT No 09E-40-00  
 JDW DRAUGHTING SERVICES  
 J.A.M. DE WAAL, 12 BRIGHTWELL STREET PAPA KURA  
 2110, NEW ZEALAND. PHONE: 0064 09 2988815. MOB:  
 0211791000 E-MAIL: dewaal@xtra.co.nz.

PROJECTION  
**JDWDS**  
 DATE MARCH 2020  
 SHEET: 04 OF 04

MODEL SCALE: 1:1  
 DWG SCALE: 1:1 @A3 OR AS SHOWN  
 Copyright © J.A.M. DE WAAL PAPA KURA NZ  
**A3 No: 09E-40-00-SHT04**

**DRAWINGS ARE FOR PERSONAL USE ONLY NOT FOR COMMERCIAL PURPOSES**