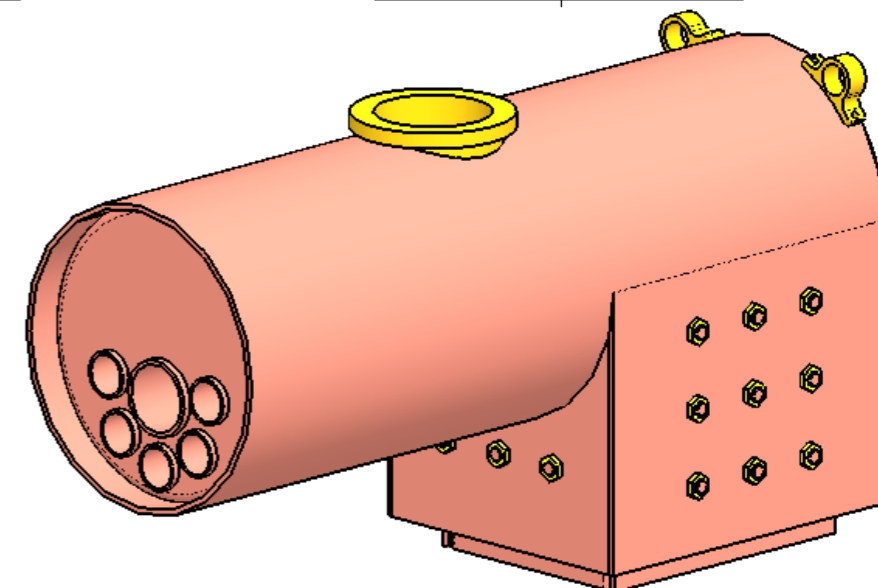
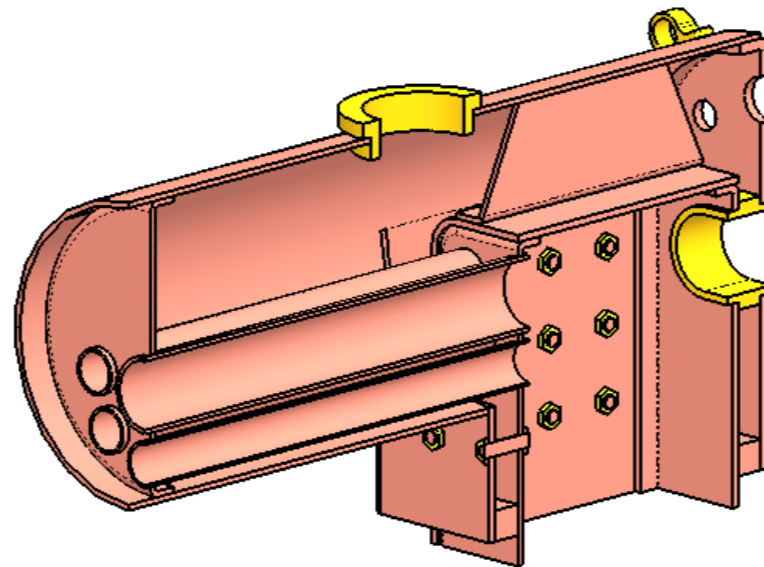
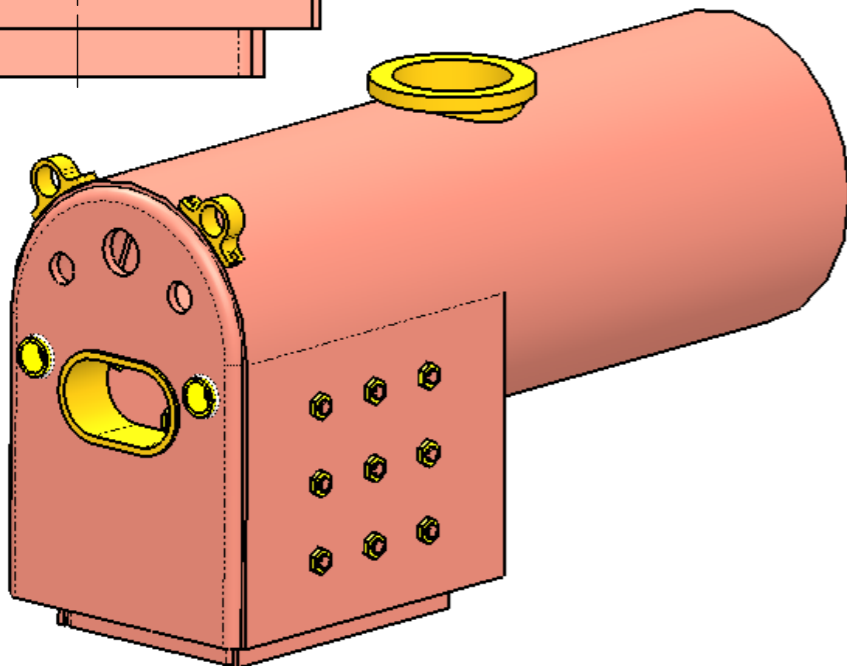
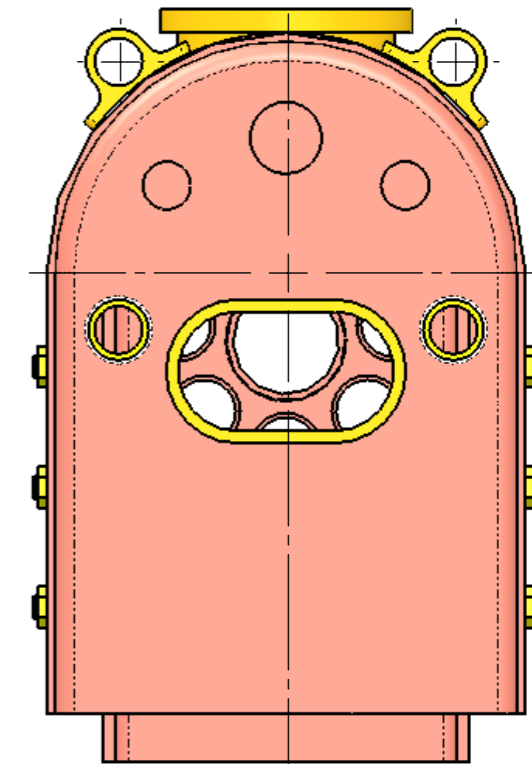
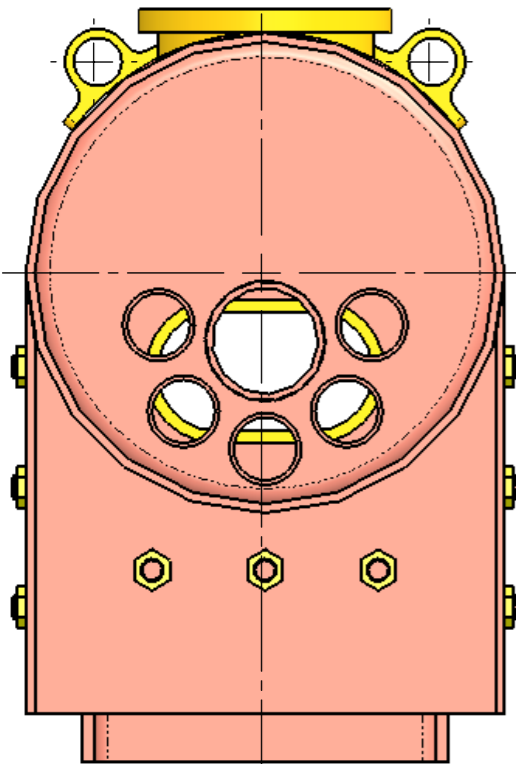
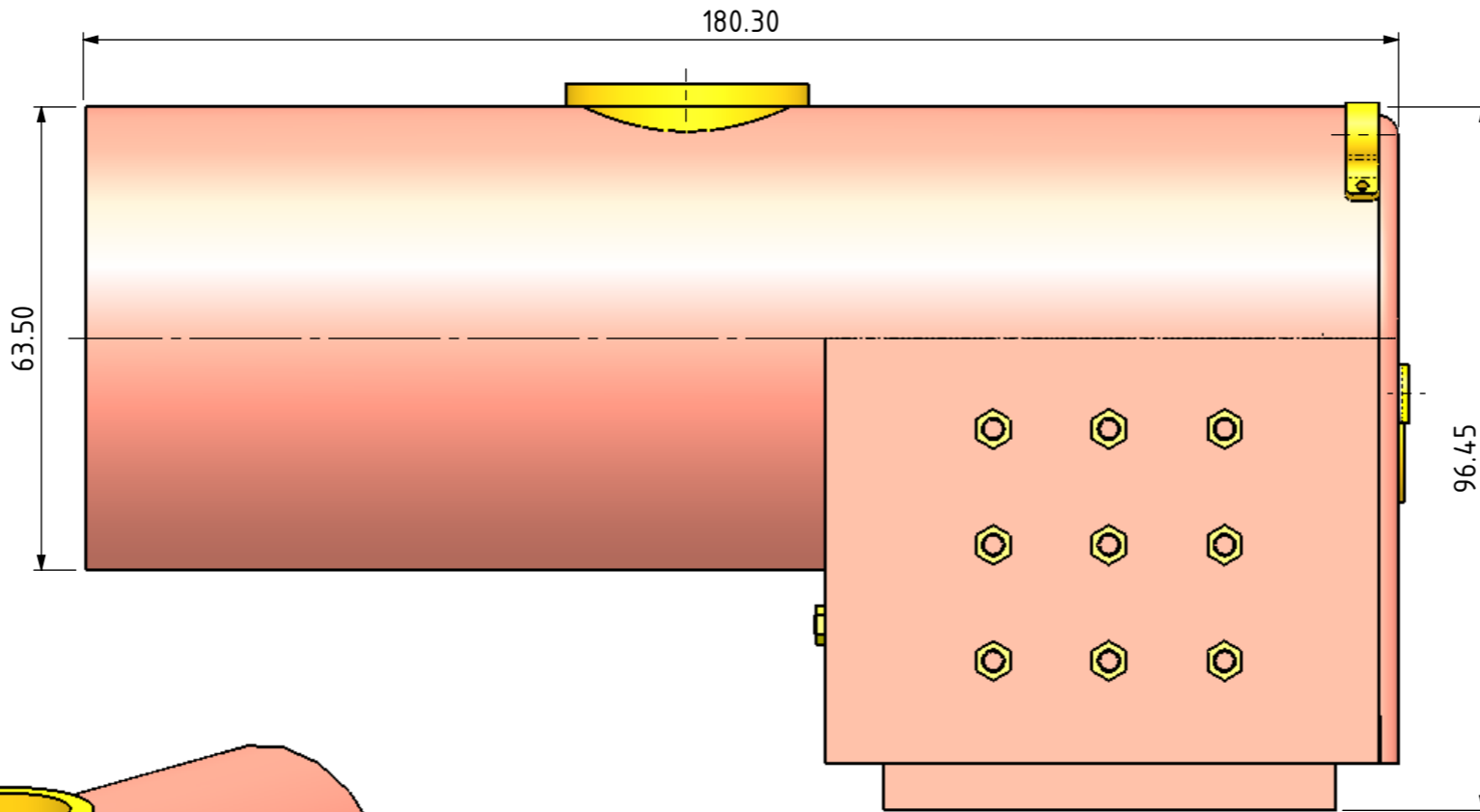
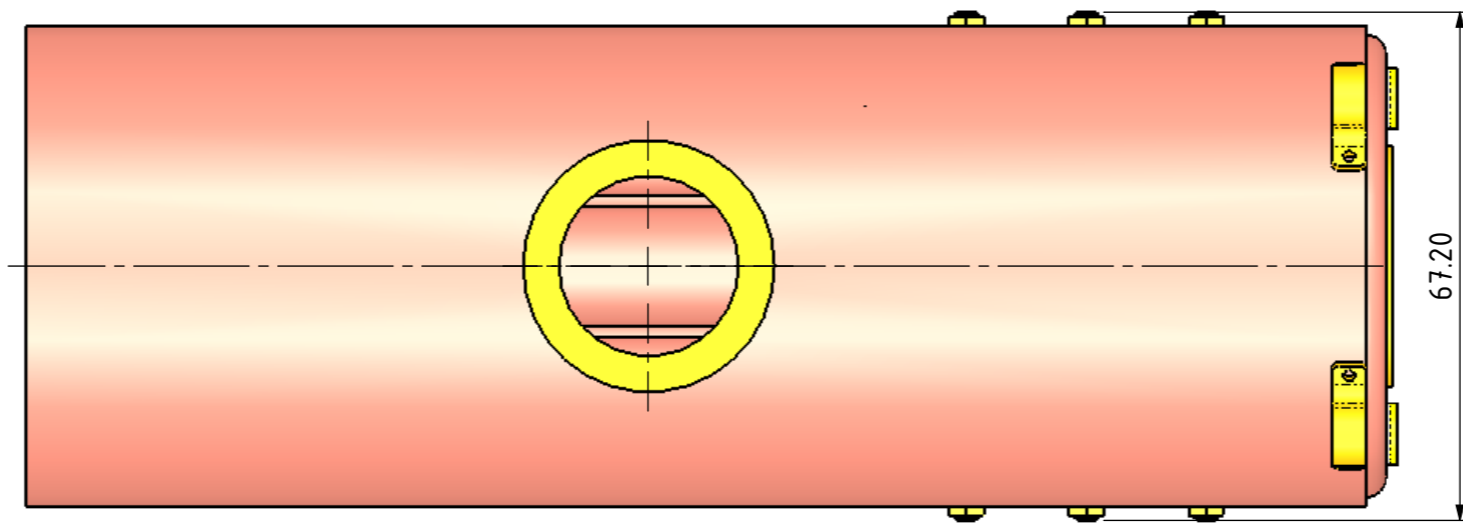


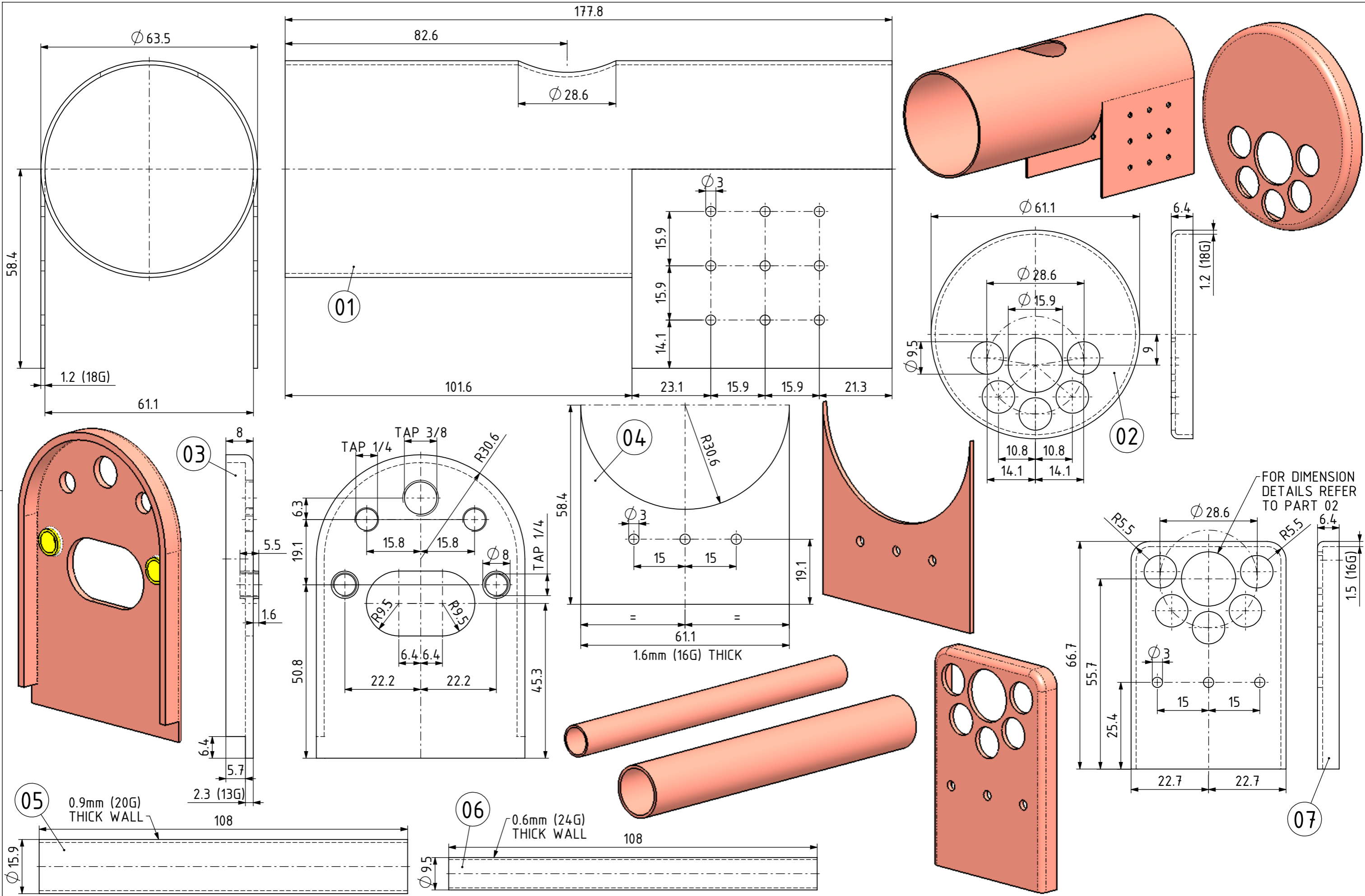
QTY.	PART NUMBER
1	SMB-01-BOILER SKIN
1	SMB-02-BOILER FRONT COVER
1	SMB-03-BOILER BACKHEAD
1	SMB-04-THROAT PLATE
1	SMB-05-FLUE TUBE TYPE A
5	SMB-06-FLUE TUBE TYPE B
1	SMB-07-FIREBOX FRONT PLATE
1	SMB-08-FIREBOX REAR PLATE
1	SMB-09-BOILER BOTTOM PLATE
1	SMB-10-FIREBOX SURROUND
1	SMB-11-STEAM DOME RING
2	SMB-12-CROWN STAY
2	SMB-13- WATER GAUGE LUG
1	SMB-14-FIRE HOLE OVAL RING
18	SMB-15-STAY
3	SMB-15-STAY



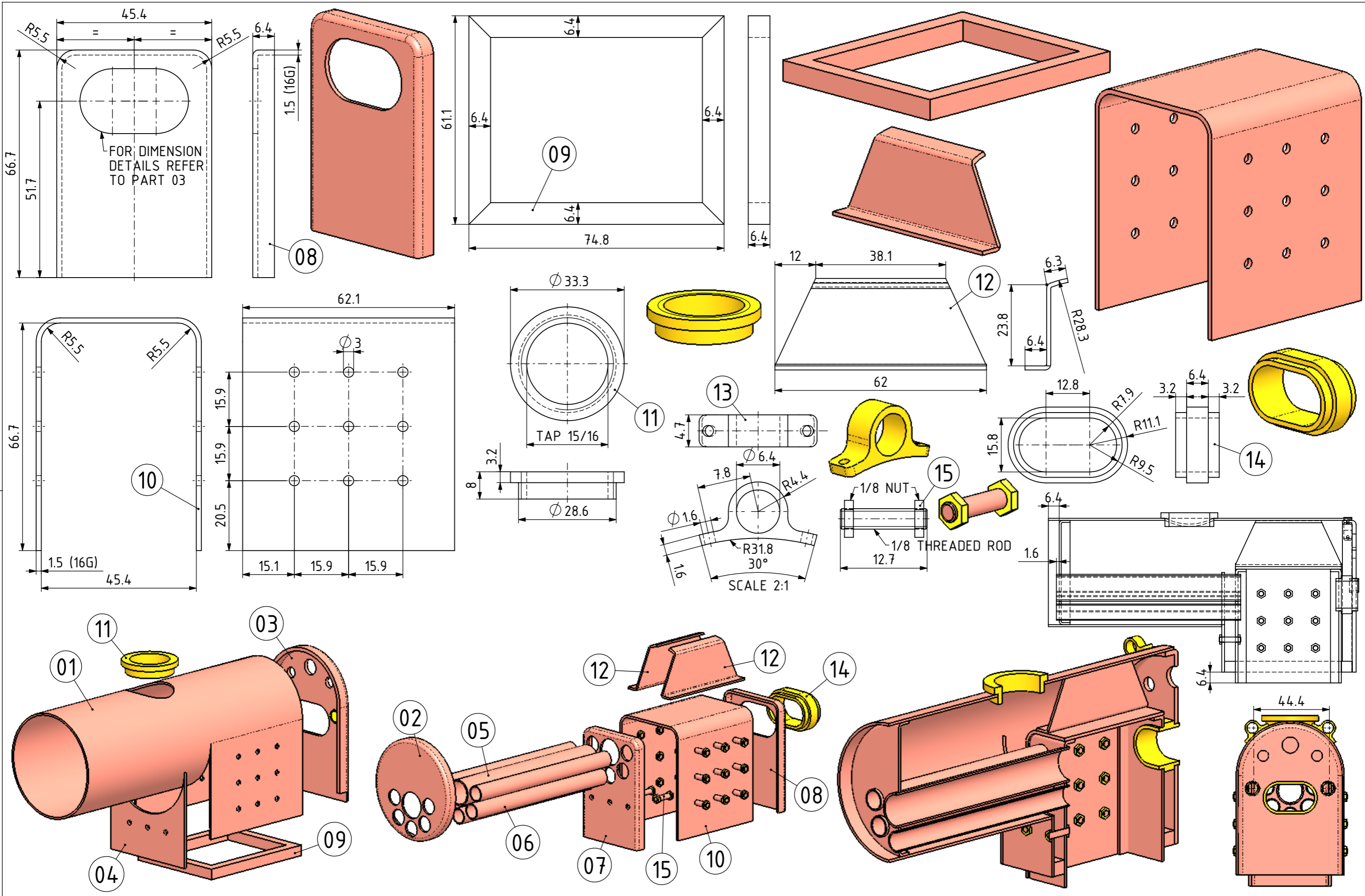
A3 TITLE SMALL BOILER FOR 2.5INCH GAUGE COAL FIRED STEAM ENGINES  
GENERAL ARRANGEMENTS SECTION AND BILL OF MATERIAL

			JDW DRAUGHTING SERVICES 12 BRIGHTWELL STREET PAKAKURA NEW ZEALAND TEL/FAX 0064-09-2988815 E-MAIL:dewaal@xtra.co.nz
A	ISSUED FOR CONSTRUCTION		
REV	DESCRIPTION	DATE	

PROJECT No:	01-04-10-11-00
DRAWN BY	J.A.M. DE WAAL
DRAWING NUMBER	SMB-01
DATE	DECEMBER 2011
SCALE	NTS@A3 or AS SHOWN
SHEET OF SHEET	1 OF 1
REV	A



TITLE		PROJECT No:		01-04-10-11-00	
SMALL BOILER FOR 2.5INCH GAUGE COAL FIRED STEAM ENGINES		DRAWN BY		J.A.M. DE WAAL	
PARTS		PROJECTION		DRAWING NUMBER	
A3		DATE		SMB-02	
REV		DESCRIPTION		SCALE 1:1@A3 or AS SHOWN	
A		ISSUED FOR CONSTRUCTION		SHEET OF SHEET	
REV		DATE		REV	
		E-MAIL:dewaal@xtra.co.nz		A	



TITLE		PROJECT No:		01-04-10-11-00	
SMALL BOILER FOR 2.5INCH GAUGE COAL FIRED STEAM ENGINES		DRAWING NUMBER		SMB-03	
A3 PARTS		SCALE 1:1@A3 or AS SHOWN		SHEET A	
JDW DRAUGHTING SERVICES 12 BRIGHTWELL STREET PAKAPURA NEW ZEALAND TEL/FAX 0064-09-2988815 E-MAIL:dewaal@xtra.co.nz		DRAWN BY J.A.M. DE WAAL		DATE DECEMBER 2011	
ISSUED FOR CONSTRUCTION		DESCRIPTION		DATE	