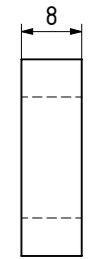
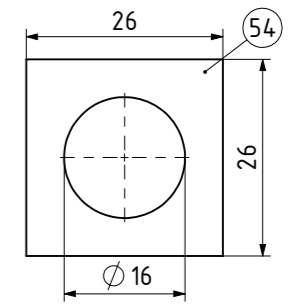
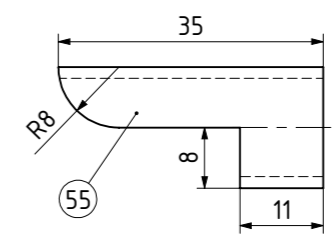
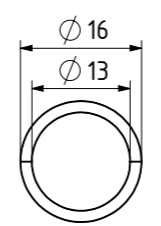
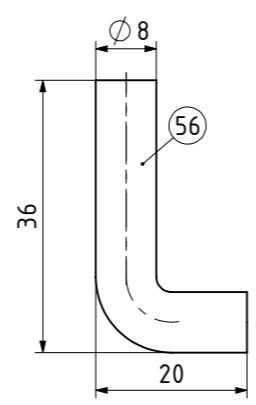
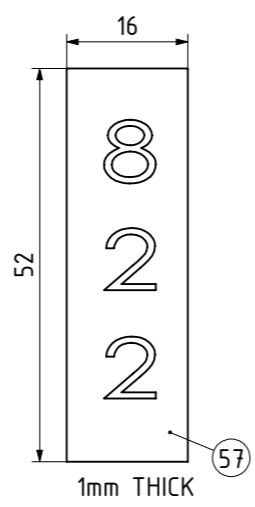
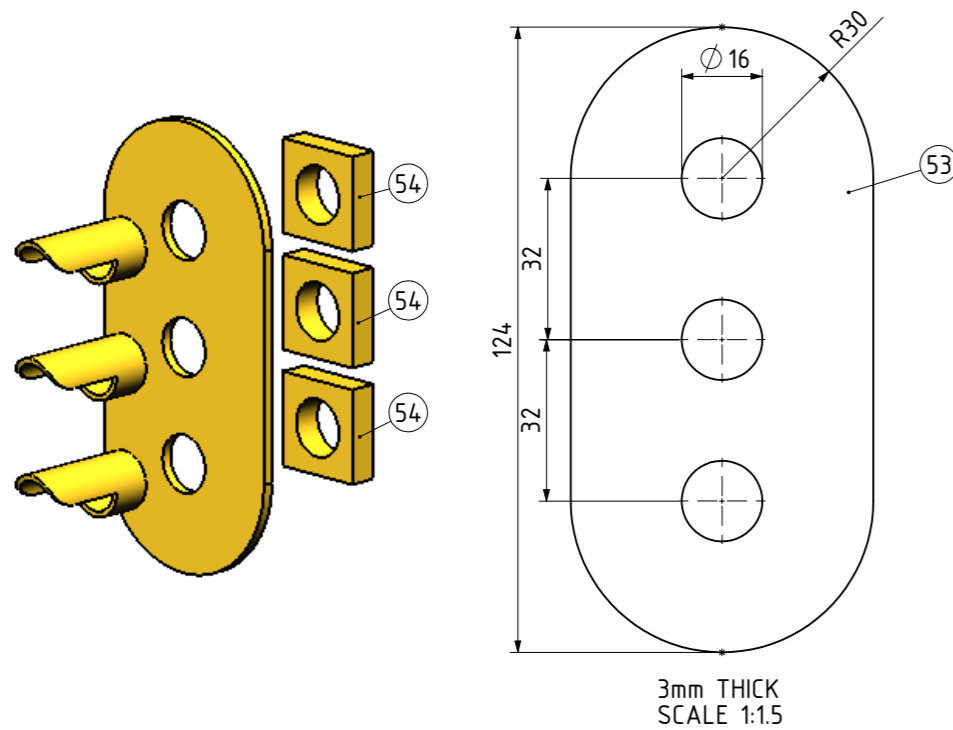
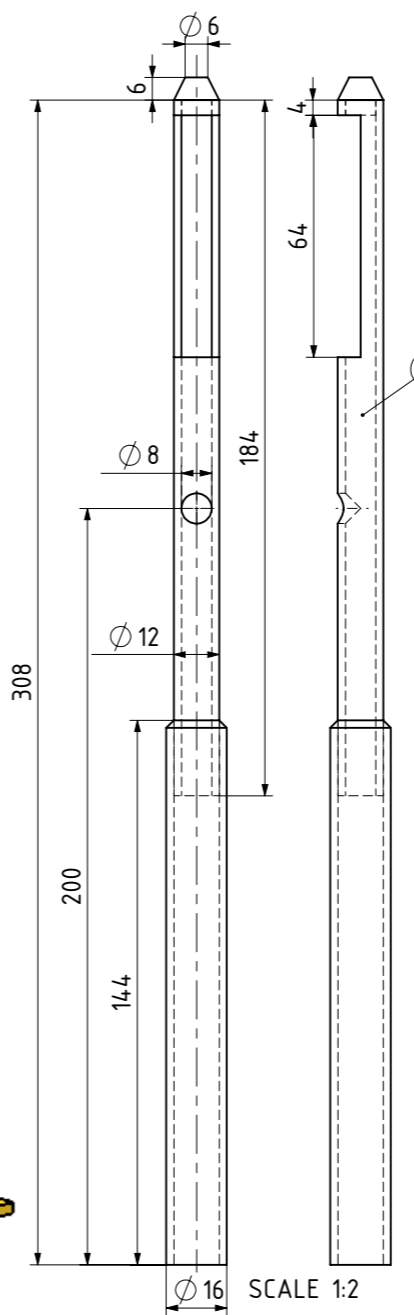
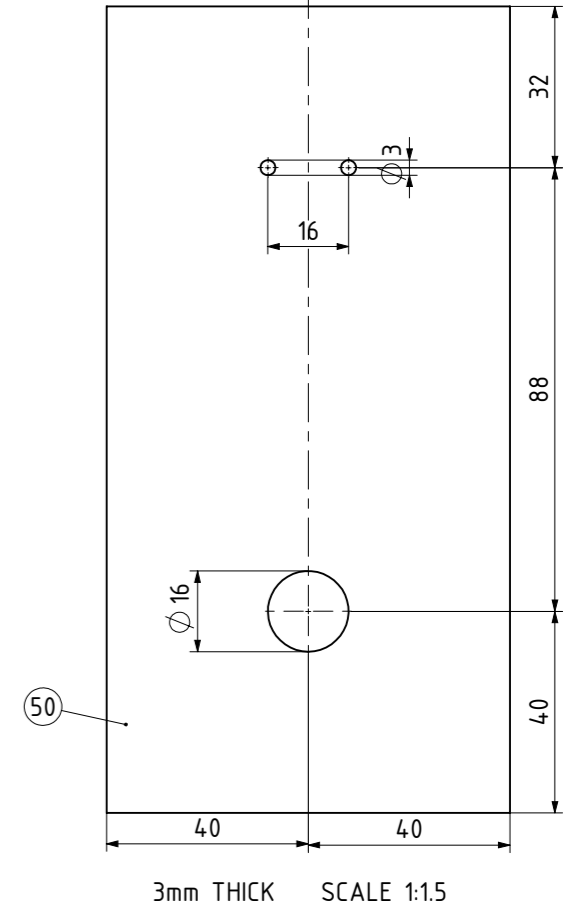
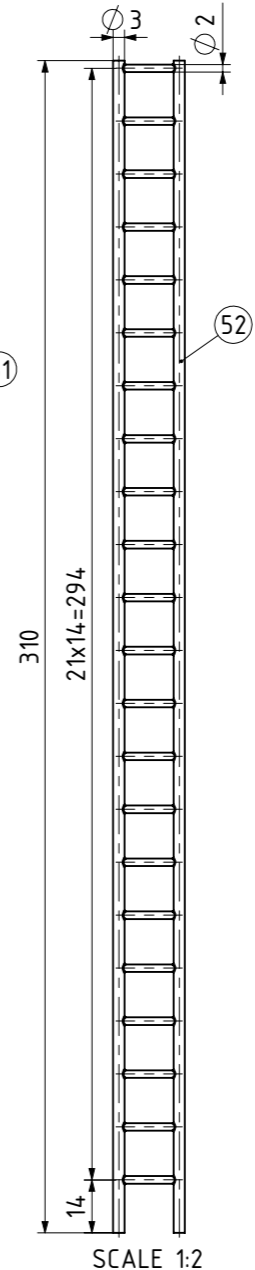


QTY.	PART NUMBER
1	LSNS-NX-50-BASE PLATE
1	LSNS-NX-51-POLE
1	LSNS-NX-52-LADDER
1	LSNS-NX-53-FACE PLATE
3	LSNS-NX-54-LAMP HOLDER
3	LSNS-NX-55-LAMP HOLDER - SUN SHIELD
1	LSNS-NX-56-LAMP HOLDER - BRACKET
1	LSNS-NX-57-NUMBER BOARD



MODEL SCALE 1 : 22.5 GAUGE 64mm	DRAWING CONTENTS
DWG SCALE NTS @ A3 OR AS SHOWN	ASSEMBLIES, PARTSLIST AND PARTS
TITLE	PROJECT No
LIGHT SIGNALS FOR THE NX SYSTEM OF THE DUTCHRAILWAYS	Copyright © J.A.M. DE WAAL PAPA KURA NZ

PROJECTION

JDW DRAUGHTING SERVICES
 J.A.M. DE WAAL, 12 BRIGHTWELL STREET PAPA KURA 2110.
 NEW ZEALAND. PHONE: 0064 09 2988815. MOB: 0211791000
 E-MAIL: dewaal@xtra.co.nz.

THIS DESIGN IS BASED ON AN ARTICLE AND DRAWING PUBLISHED IN THE "MODELBOUWER" No7 1958 BY G. STERKMAN - ALBLASSERDAM