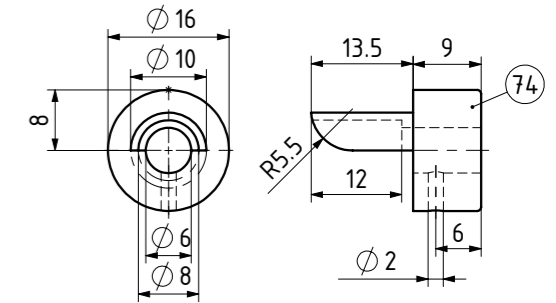
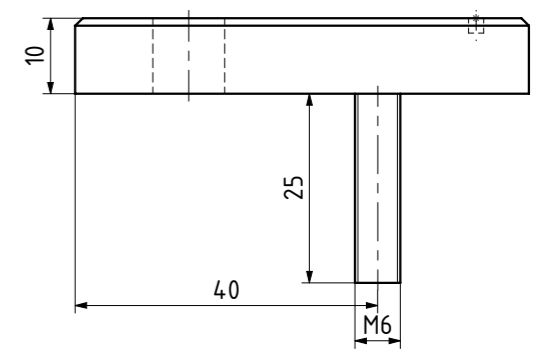
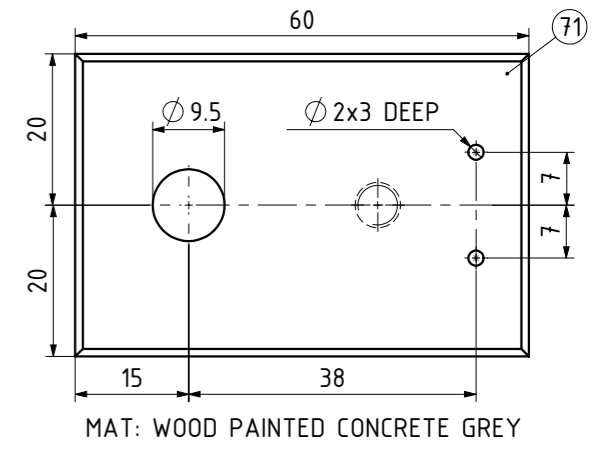
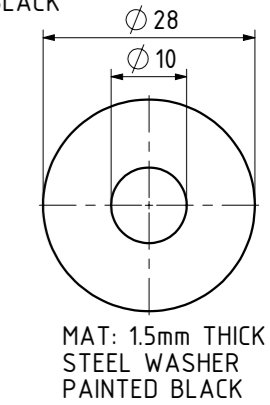
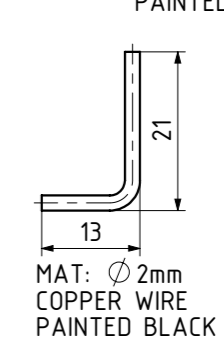


QTY.	PART NUMBER
1	JDW-LS-71-CONCRETE BASE
1	JDW-LS-72-POLE
1	JDW-LS-73-LADDER
2	JDW-LS-74-LAMP HOLDER
2	JDW-LS-75-LAMP HOLDER FACE PLATE
2	JDW-LS-76-LAMP HOLDER BRACKET



MAT: ALUMINIUM  $\varnothing$  16 PAINTED BLACK



MODEL SCALE 1 : 22.5 GAUGE 45mm	DRAWING CONTENTS
DWG SCALE NTS @ A3 OR AS SHOWN	ASSEMBLIES, PARTSLIST AND PARTS
TITLE	PROJECT No
LIGHT SIGNAL FOR LGB LAYOUTS	Copyright © J.A.M. DE WAAL PAPA KURA NZ

PROJECTION

**JDW DRAUGHTING SERVICES**  
 J.A.M. DE WAAL. 12 BRIGHTWELL STREET PAPA KURA 2110.  
 NEW ZEALAND. PHONE: 0064 09 2988815. MOB: 0211791000  
 E-MAIL: dewaal@xtra.co.nz.

THIS LIGHT SIGNAL WAS DESIGNED AND BUILT BY J.A.M. DE WAAL PAPA KURA NEW ZEALAND FOR HIS LGB LAYOUT AS SHOWN IN THE MODELBOUWER No2 2011