

NOTES: THIS DESIGN IS BASED ON A SINGLE 3D MODEL WHICH WAS SEND TO ME TO BE BROKEN DOWN IN ITS INDIVIDUAL PARTS

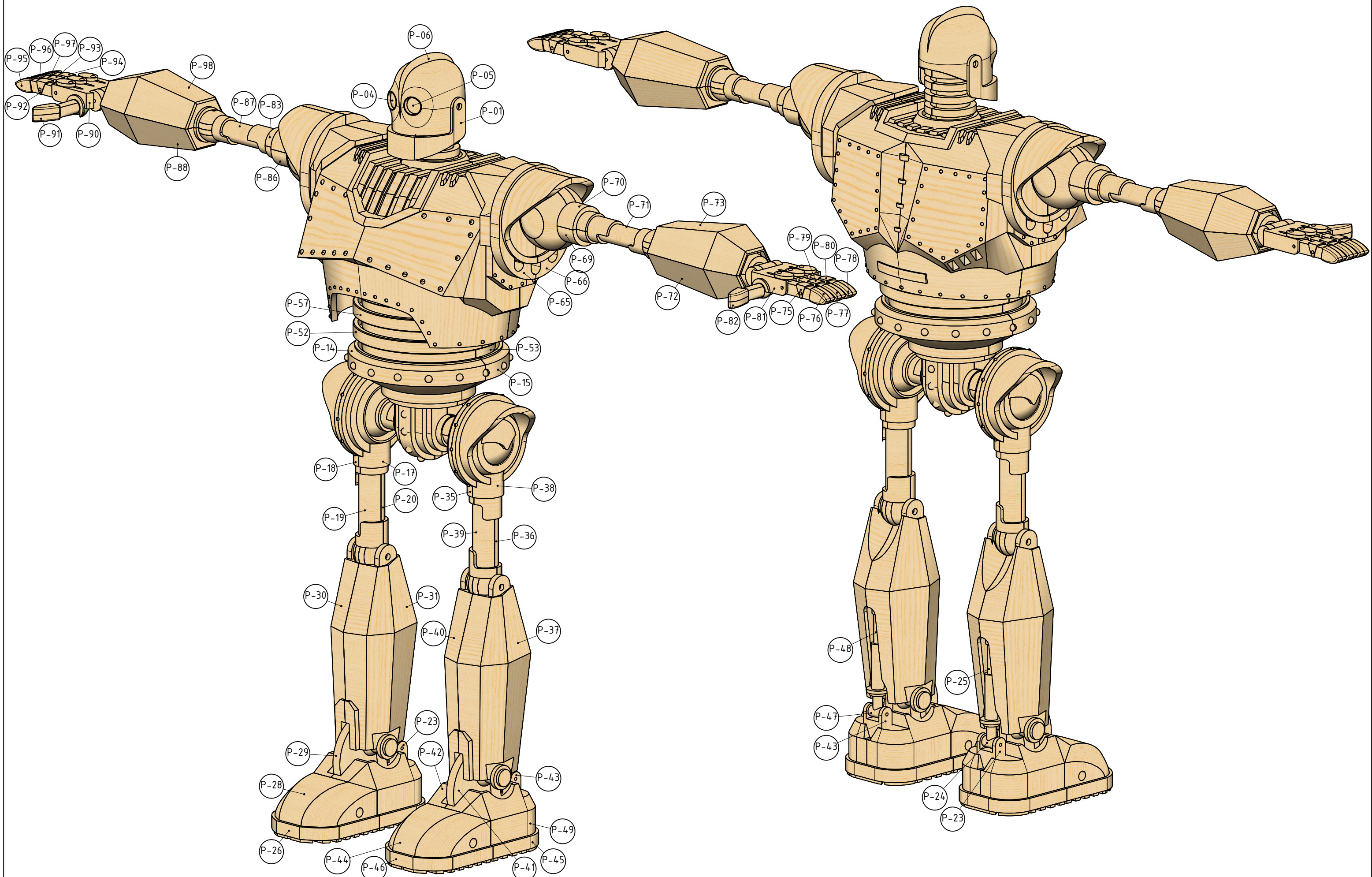
DRAWINGS ARE FOR PERSONAL USE ONLY NOT FOR COMMERCIAL PURPOSES

TITLE
IRON-GIANT

DRAWING CONTENTS
FRONT, SIDE & TOP VIEW

PROJECT No 01-35-00
JDW DRAUGHTING SERVICES
 J.A.M. DE WAAL, 12 BRIGHTWELL STREET PAKAKURA
 2110, NEW ZEALAND. PHONE: 0064 09 2988815. MOB:
 0211791000 E-MAIL: dewaal@xtra.co.nz.

PROJECTION 	JDWDS	MODEL SCALE: 1:1
DATE JANUARY 2022	Copyright © J.A.M. DE WAAL PAKAKURA NZ	DWG SCALE: NTS @A3 OR AS SHOWN
SHEET: 01 OF 06	A3	No: 01-35-00-SHT01



NOTES: THIS DESIGN IS BASED ON A SINGLE 3D MODEL WHICH WAS SEND TO ME TO BE BROKEN DOWN IN ITS INDIVIDUAL PARTS

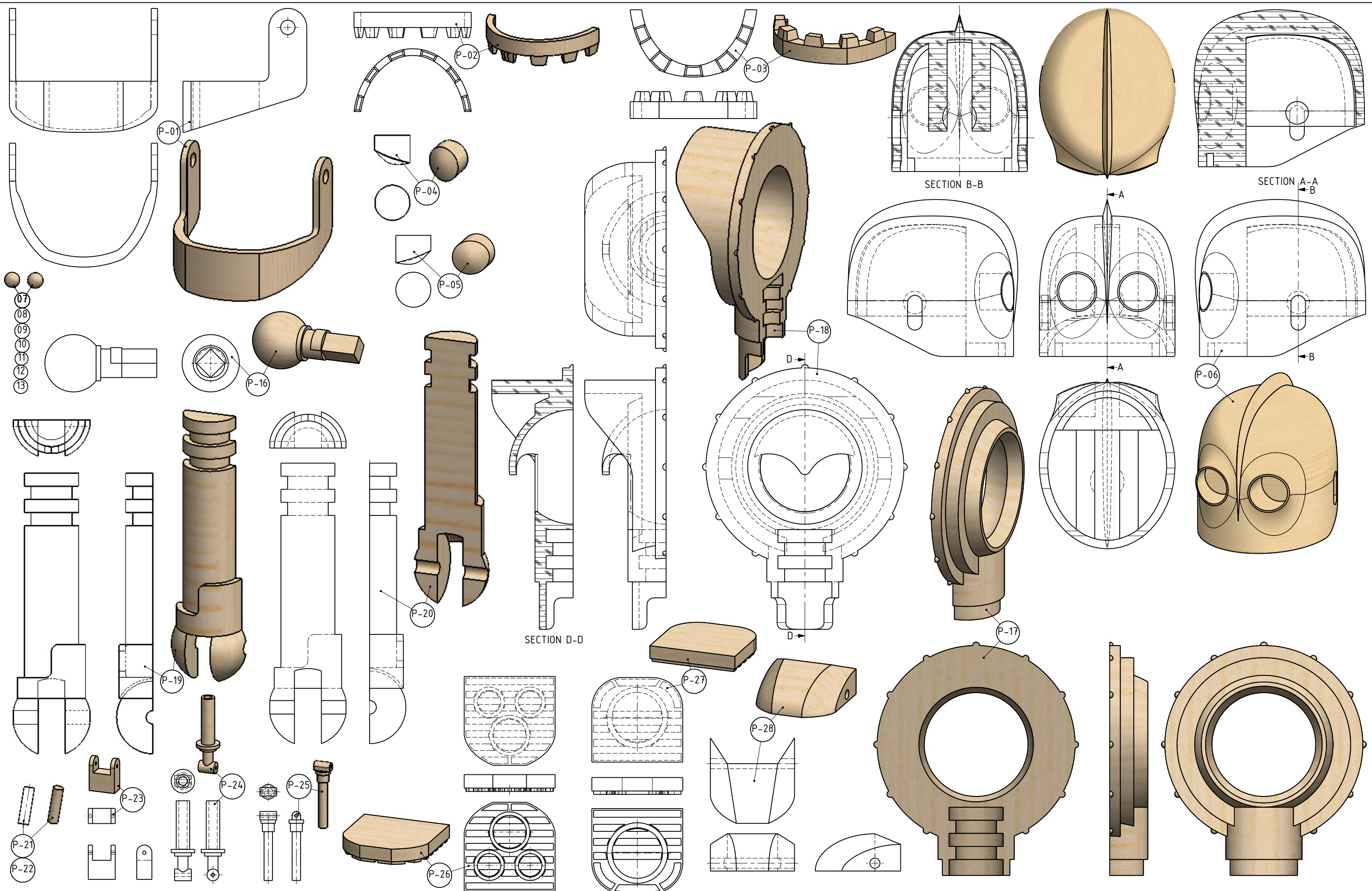
DRAWINGS ARE FOR PERSONAL USE ONLY NOT FOR COMMERCIAL PURPOSES

TITLE
IRON-GIANT

DRAWING CONTENTS
ISOMETRIC VIEWS

PROJECT No 01-35-00
JDW DRAUGHTING SERVICES
 J.A.M. DE WAAL, 12 BRIGHTWELL STREET PAPAOKURA
 2110, NEW ZEALAND. PHONE: 0064 09 2988815. MOB:
 0211791000 E-MAIL: dewaal@xtra.co.nz.

PROJECTION 	JDWDS	MODEL SCALE: 1:1
DATE JANUARY 2022	Copyright © J.A.M. DE WAAL PAPAOKURA NZ	DWG SCALE: NTS @A3 OR AS SHOWN
SHEET: 02 OF 06	A3	No: 01-35-00-SHT02



NOTES: THIS DESIGN IS BASED ON A SINGLE 3D MODEL WHICH WAS SEND TO ME TO BE BROKEN DOWN IN ITS INDIVIDUAL PARTS

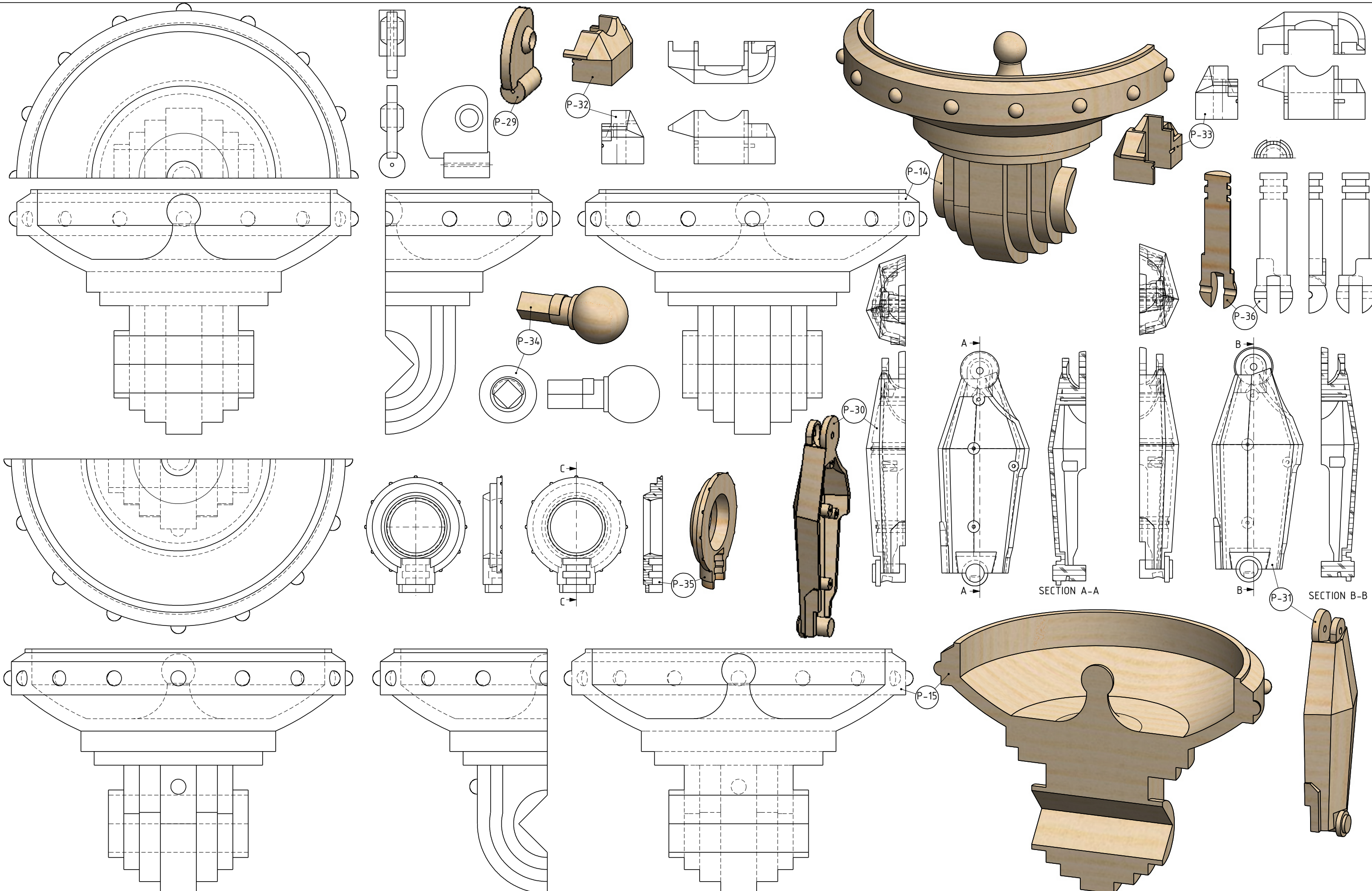
DRAWINGS ARE FOR PERSONAL USE ONLY NOT FOR COMMERCIAL PURPOSES

TITLE
IRON-GIANT

DRAWING CONTENTS
PARTS

PROJECT No 01-35-00
JDW DRAUGHTING SERVICES
 J.A.M. DE WAAL, 12 BRIGHTWELL STREET PAPAOKURA
 2110, NEW ZEALAND. PHONE: 0064 09 2988815. MOB:
 0211791000 E-MAIL: dewaal@xtra.co.nz.

PROJECTION FIRST ANGLE	JDWDS	MODEL SCALE: 1:1
DATE JANUARY 2022	Copyright © J.A.M. DE WAAL PAPAOKURA NZ	DWG SCALE: 1:1 @A3 OR AS SHOWN
SHEET: 03 OF 06		A3 No: 01-35-00-SHT03



NOTES: THIS DESIGN IS BASED ON A SINGLE 3D MODEL WHICH WAS SEND TO ME TO BE BROKEN DOWN IN ITS INDIVIDUAL PARTS

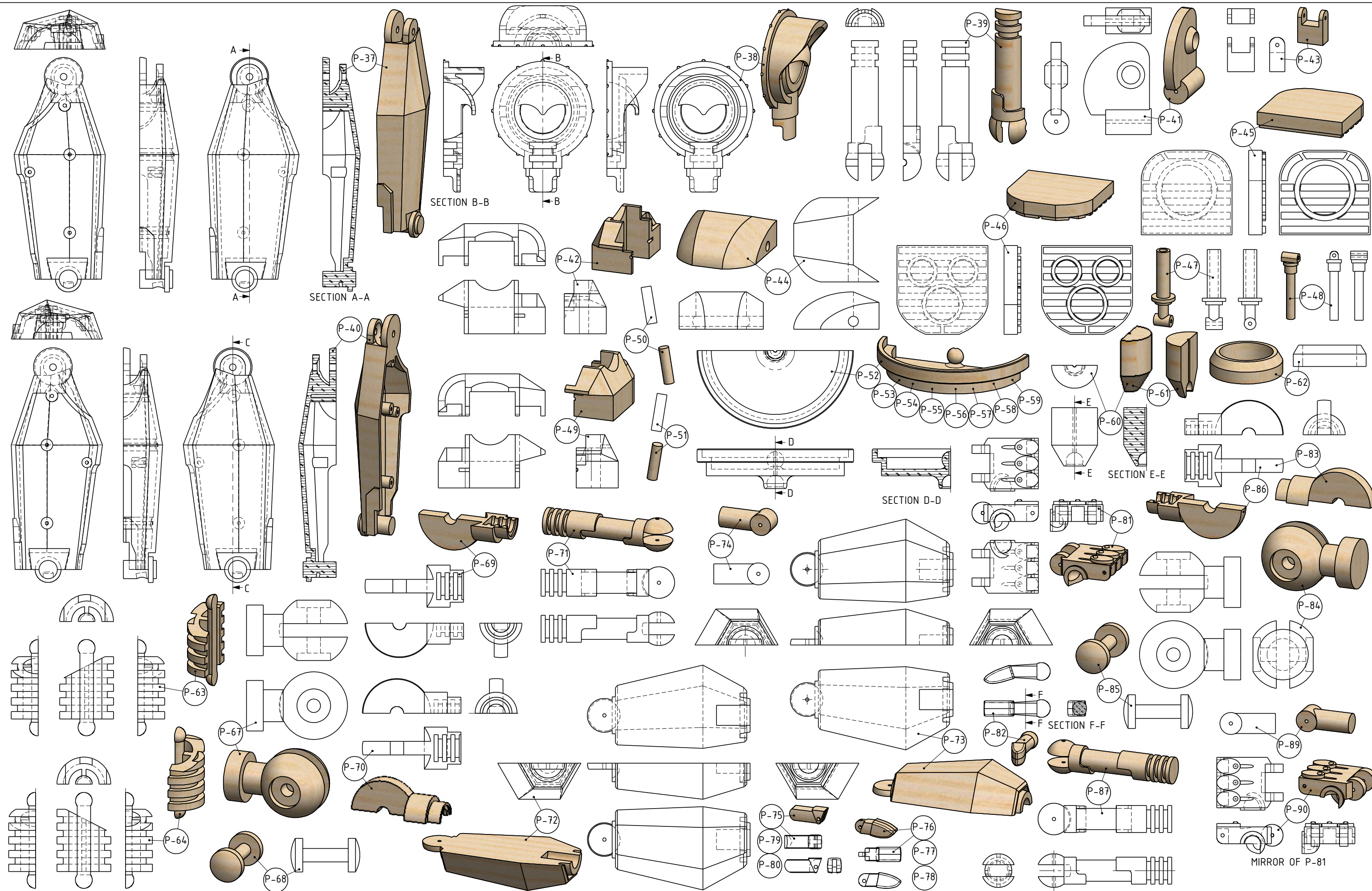
DRAWINGS ARE FOR PERSONAL USE ONLY NOT FOR COMMERCIAL PURPOSES

TITLE
IRON-GIANT

DRAWING CONTENTS
PARTS

PROJECT No 01-35-00
JDW DRAUGHTING SERVICES
 J.A.M. DE WAAL, 12 BRIGHTWELL STREET PAPAOKURA
 2110, NEW ZEALAND. PHONE: 0064 09 2988815. MOB:
 0211791000 E-MAIL: dewaal@xtra.co.nz.

PROJECTION FIRST ANGLE	JDWDS	MODEL SCALE: 1:1
DATE JANUARY 2022	Copyright © J.A.M. DE WAAL PAPAOKURA NZ	DWG SCALE: 1:1 @A3 OR AS SHOWN
SHEET: 04 OF 06		A3 No: 01-35-00-SHT04



NOTES: THIS DESIGN IS BASED ON A SINGLE 3D MODEL WHICH WAS SEND TO ME TO BE BROKEN DOWN IN ITS INDIVIDUAL PARTS

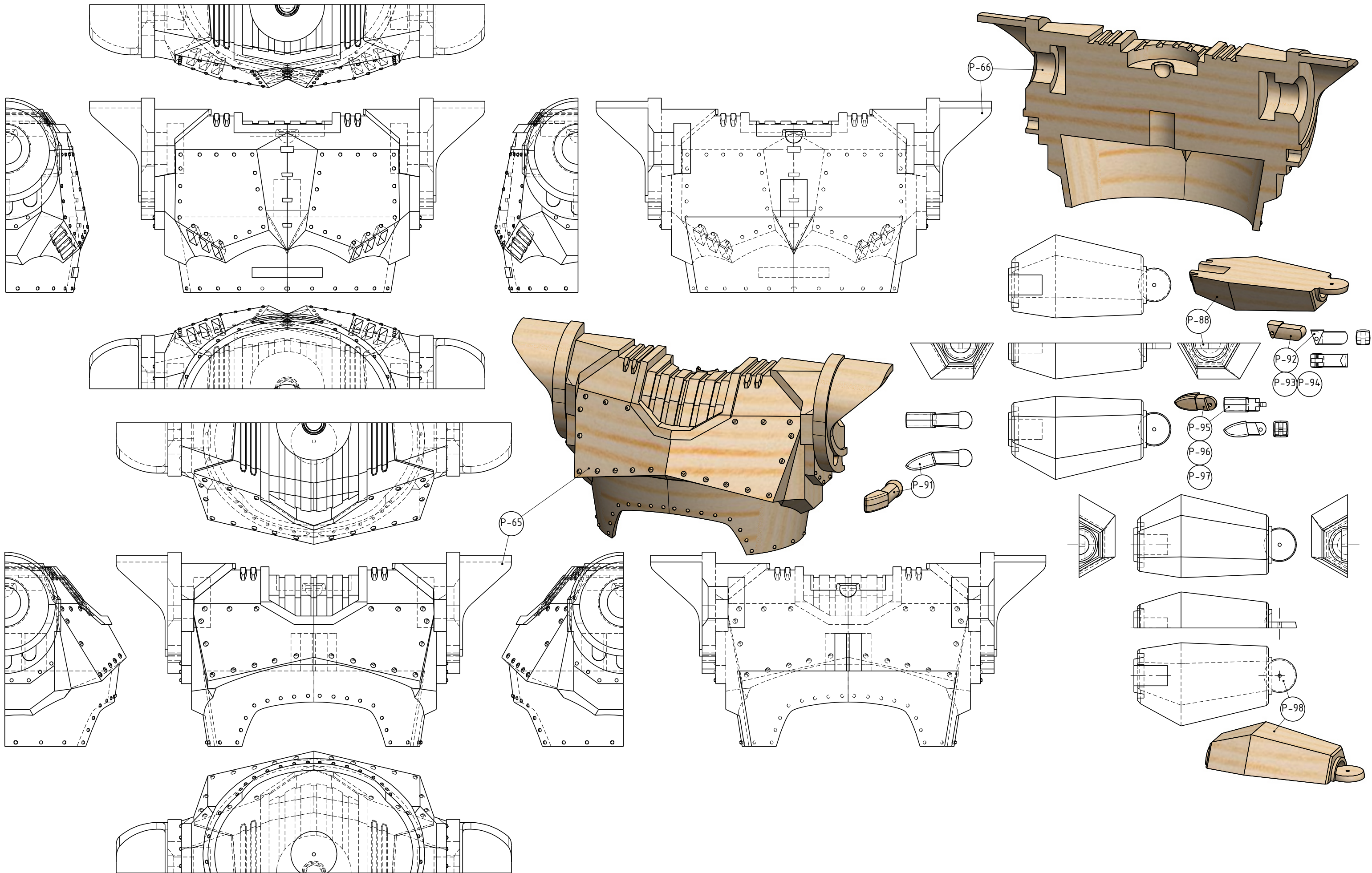
DRAWINGS ARE FOR PERSONAL USE ONLY NOT FOR COMMERCIAL PURPOSES

TITLE
IRON-GIANT

DRAWING CONTENTS
PARTS

PROJECT No 01-35-00
JDW DRAUGHTING SERVICES
 J.A.M. DE WAAL, 12 BRIGHTWELL STREET PAPAOKURA
 2110, NEW ZEALAND. PHONE: 0064 09 2988815. MOB:
 0211791000 E-MAIL: dewaal@xtra.co.nz.

PROJECTION 	JDWDS	MODEL SCALE: 1:1
DATE JANUARY 2022	Copyright © J.A.M. DE WAAL PAPAOKURA NZ	DWG SCALE: 1:1 @A3 OR AS SHOWN
SHEET: 05 OF 06		A3 No: 01-35-00-SHT05



NOTES: THIS DESIGN IS BASED ON A SINGLE 3D MODEL WHICH WAS SEND TO ME TO BE BROKEN DOWN IN ITS INDIVIDUAL PARTS

DRAWINGS ARE FOR PERSONAL USE ONLY NOT FOR COMMERCIAL PURPOSES

TITLE
IRON-GIANT

DRAWING CONTENTS
PARTS

PROJECT No 01-35-00
JDW DRAUGHTING SERVICES
 J.A.M. DE WAAL, 12 BRIGHTWELL STREET PAPAURA
 2110, NEW ZEALAND. PHONE: 0064 09 2988815. MOB:
 0211791000 E-MAIL: dewaal@xtra.co.nz.

PROJECTION ①	JDWDS	MODEL SCALE: 1:1
DATE JANUARY 2022	Copyright © J.A.M. DE WAAL PAPAURA NZ	DWG SCALE: 1:1 @A3 OR AS SHOWN
SHEET: 06 OF 06	A3	No: 01-35-00-SHT06

