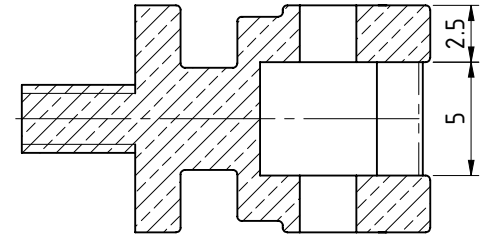
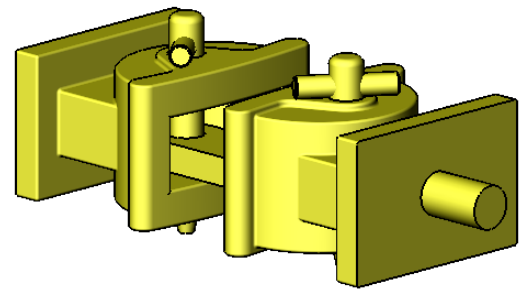
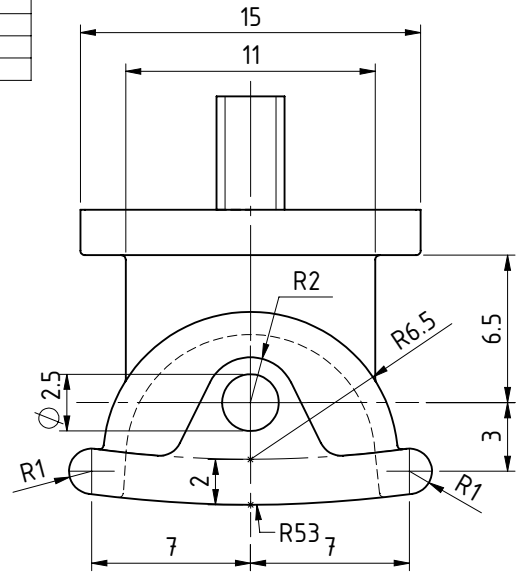
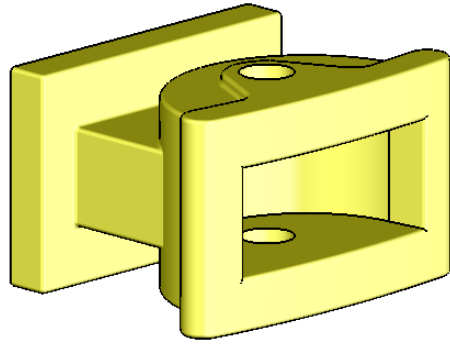
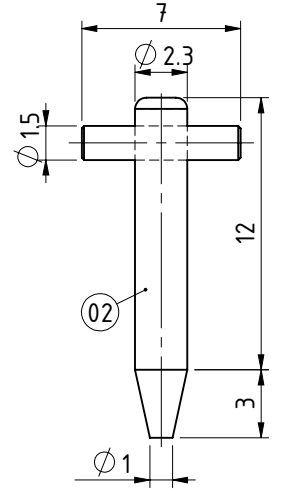


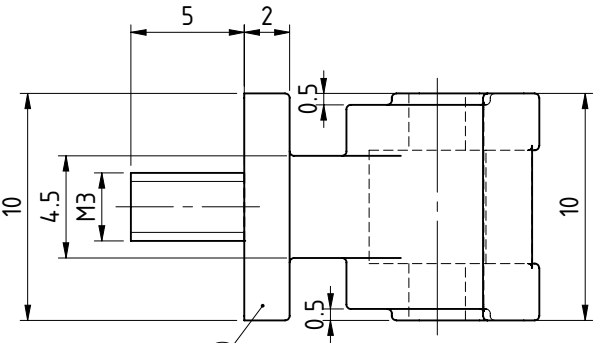
QTY.	PART NUMBER
2	CPLG-01-COUPLING HOUSE TYPE-F
2	CPLG-02-PIN FOR COUPLING TYPE-F
1	CPLG-03-PULL PLATE FOR COUPLING TYPE-F



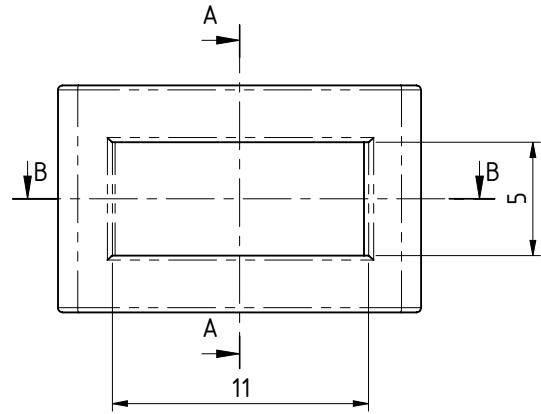
SECTION A-A
SCALE 3 : 1



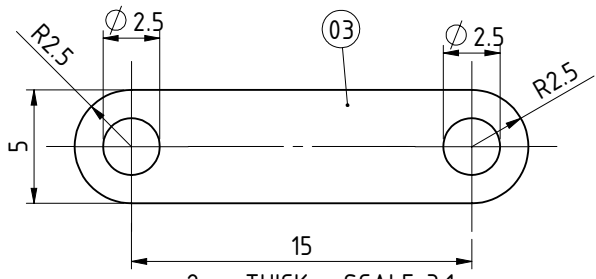
SCALE 3:1



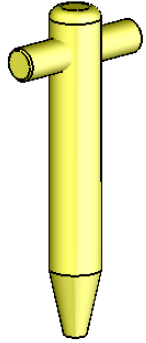
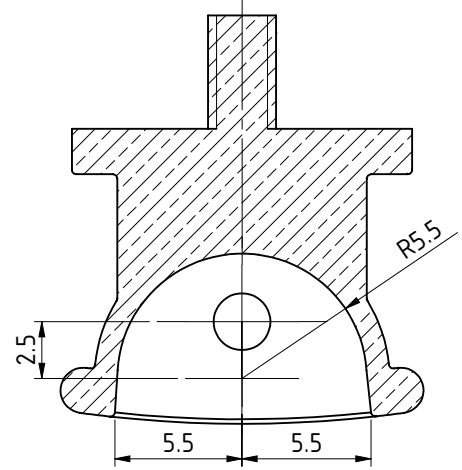
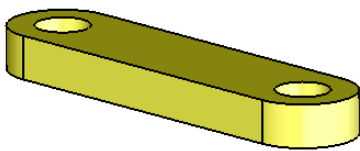
SCALE 3:1



SECTION B-B
SCALE 3 : 1



SCALE 3:1



NOTES:

TITLE
COUPLING FOR LGB SCALE TRAINS BASED ON AMERICAN BUSH
A4 TRAM RAILWAYS GA, SECTIONS, PARTS, ASSEMBLIES, BOM

REV	DESCRIPTION	DATE
A	ISSUED FOR CONSTRUCTION	

JDW DRAUGHTING SERVICES
 12 BRIGHTWELL STREET
 PAPAOKURA NEW ZEALAND
 TEL/FAX 0064-09-2988815
 E-MAIL:dewaal@xtra.co.nz

DRAWN BY
 J.A.M. DE WAAL
 DATE
 AUGUST 2010

PROJECT No:	01-04-01-02-05
PROJECTION	
DRAWING NUMBER	CPLNG-F 1
SCALE	1:1 OF AS SHOWN
SHT OF SHT	1 of 1
REV	A