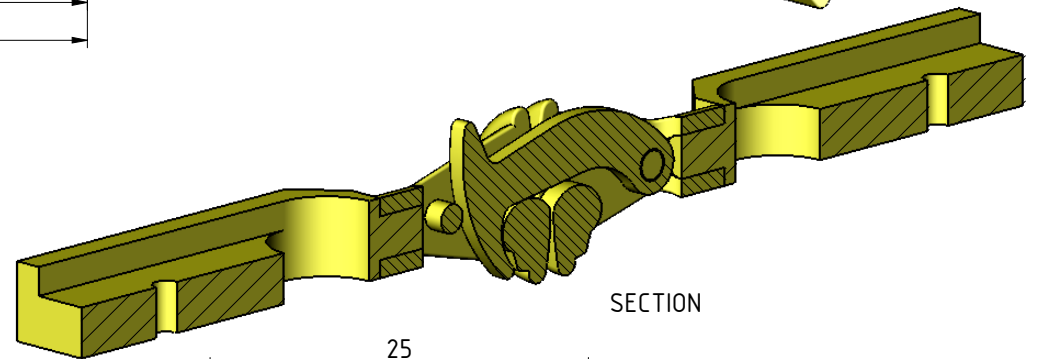
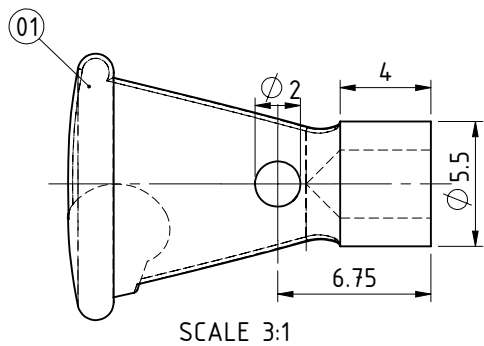
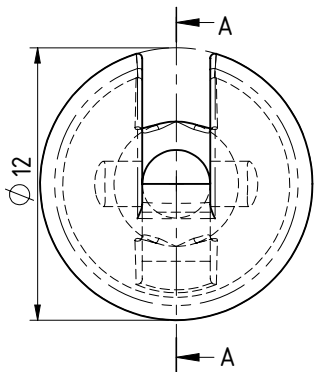
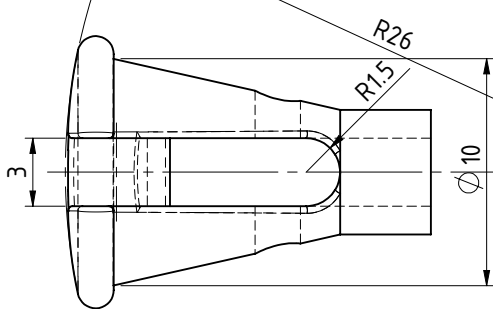
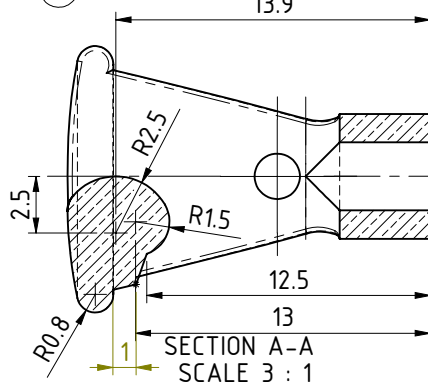
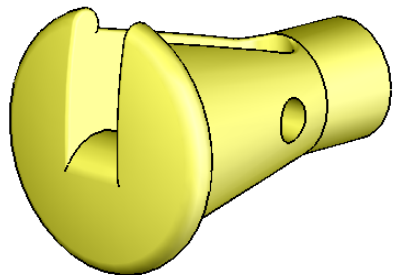
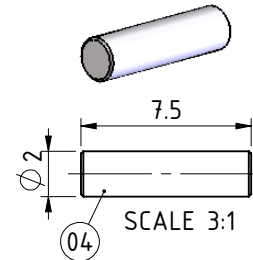
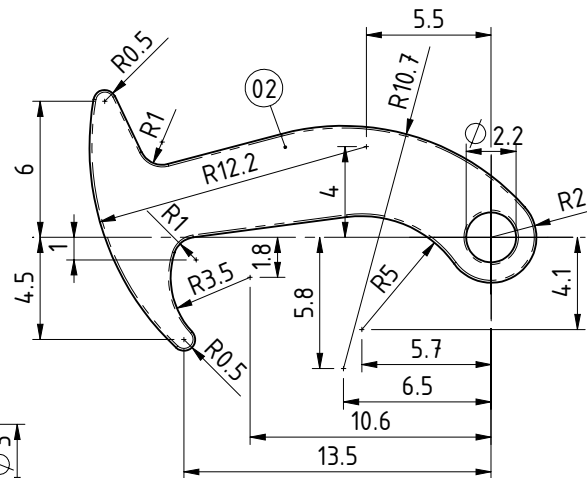
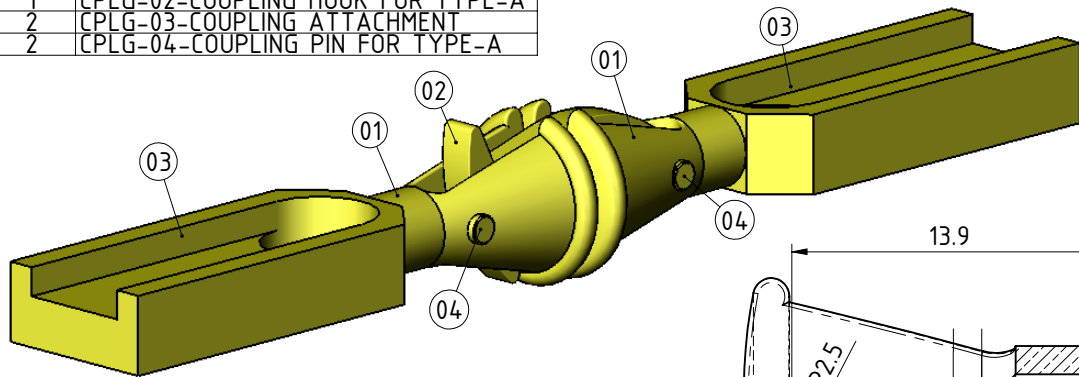
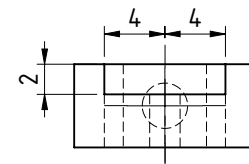
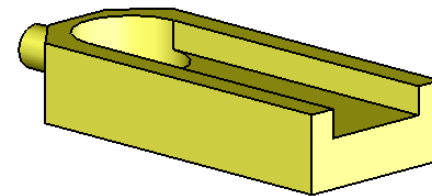
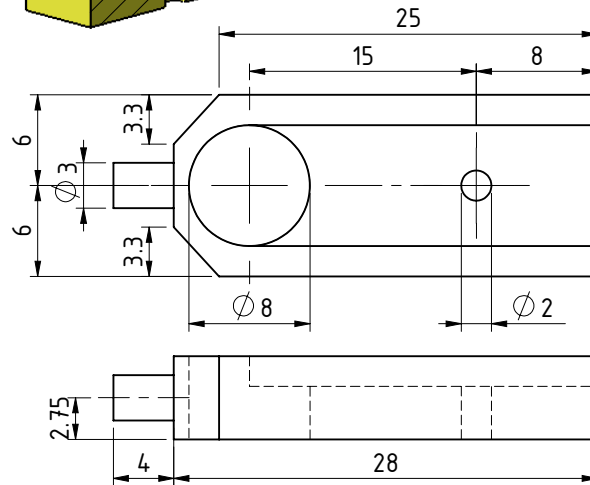


QTY.	PART NUMBER
2	CPLG-01-COUPLING HOUSE TYPE-A
1	CPLG-02-COUPLING HOOK FOR TYPE-A
2	CPLG-03-COUPLING ATTACHMENT
2	CPLG-04-COUPLING PIN FOR TYPE-A



SECTION



NOTES:

A4 TITLE COUPLING FOR LGB SCALE TRAINS BASED ON NZ RAILWAYS  
GENERAL ARRANGEMENT, SECTION, PARTS & BOM

REV	DESCRIPTION	DATE
A	ISSUED FOR CONSTRUCTION	

JDW DRAUGHTING SERVICES  
12 BRIGHTWELL STREET  
PAPAURA NEW ZEALAND  
TEL/FAX 0064-09-2988815  
E-MAIL: dewaal@xtra.co.nz

DRAWN BY  
J.A.M. DE WAAL  
DATE  
AUGUST 2010

PROJECT No:	01-04-01-02-01
DRAWING NUMBER	CPLNG-A
SHEET	1
SCALE	1:1 OF AS SHOWN
SHT OF SHT	1 of 1
REV	A